

WINEKEEPER

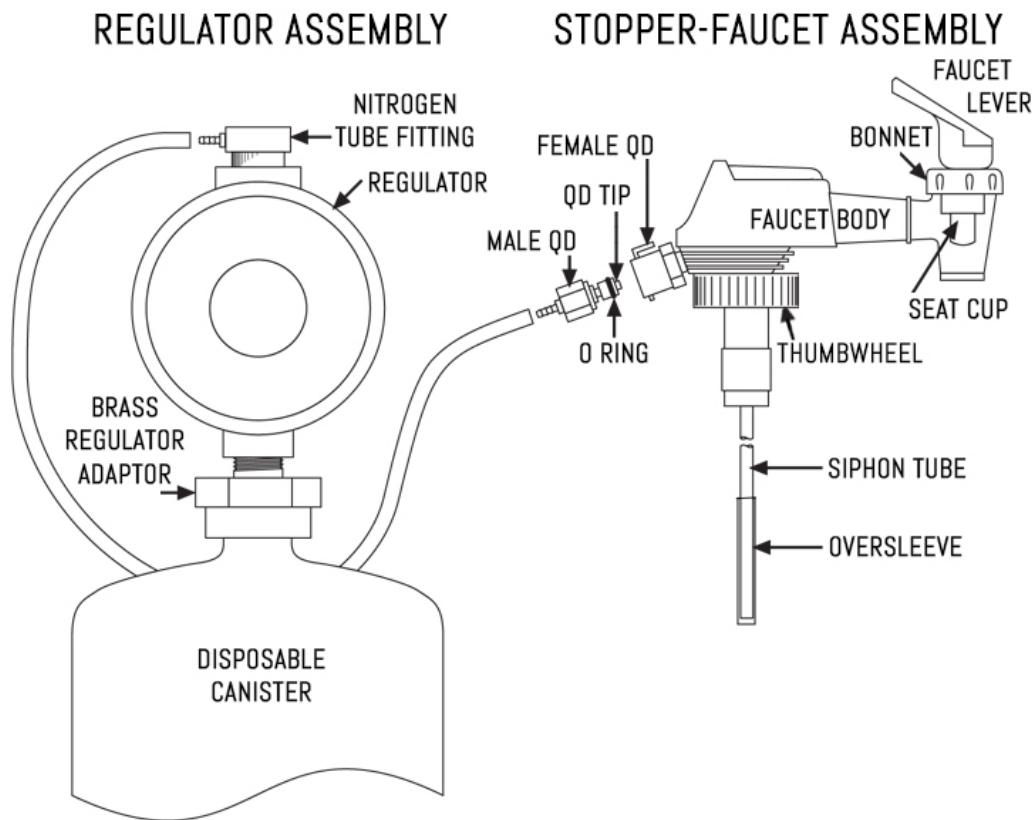
Keeping good company since 1983



Keeper, Noir, Vintner Operating Instructions Manual

531 Mercantile Drive
Cotati, CA 94931
1.855.511.5113

info@winekeeper.com
www.winekeeper.com



Set Up Instructions

- Screw the **Disposable Canister** onto the **Regulator**. **DO NOT FORCE OR CROSS THREAD**. (*Note: Empty or Full, the Canister weighs the same.*)
- Depress the tip of the **Male Quick-Disconnect (QD)** for one second to rid regulator and tubing of air. You can use a fingernail or edge of a coin—the air will be pushed out by the gas.
- Adjust the **Oversleeve** on the **Stopper Faucet** to the proper length, which should be slightly above the bottom of the bottle for wines with sediment, and all the way to the bottom for all other wines.
- Remove the cork from the bottle (do not pour any wine).
- Insert the **Stopper Faucet Assembly** into the bottle while holding the **Faucet Lever** down. This allows wine to move up the siphon tube and force air out through the faucet. Release **Faucet Lever**, and align with bottle label.
- Hold **Stopper Faucet** with one hand and *lightly* tighten **Thumbwheel** clockwise until snug. **DO NOT OVER TIGHTEN**.
- Depress metal tab on **Female Quick-Disconnect (QD)** and insert **Male Quick-Disconnect**. **Male QD** should be locked in place.
- Your system is now ready for use. Always depress **Faucet Lever** all the way down to assure a smooth pour. A wine bottle with **Stopper Faucet Assembly** attached may be separated from the rest of the system, and placed vertically in your refrigerator, if desired.

Maintenance

Changing Nitrogen Canisters

Remove the empty canister from regulator, and attach new canister to the regulator. Be sure the Brass Adaptor seats completely to the new canister to assure proper gas flow. Be careful not to strip the threads.

Conserving Nitrogen

One disposable canister dispenses up to 24 bottles (750 ml) if instructions in this manual are followed. Conserve nitrogen by disconnecting and hand pouring the last one-two glasses of wine.

Removing Stopper Faucet Assembly

The Male Quick-Disconnect *must* be separated from the Stopper Faucet *before* removing the Stopper Faucet from the bottle. The regulator remains on the disposable canister until the canister is empty.

Cleaning Stopper Faucet Assembly

Depress the Faucet Lever, turn Stopper Faucet upside down and place the faucet opening under hot running water. This will force hot water backwards through your Stopper Faucet Assembly. Dry completely before storing or reusing.

Troubleshooting

Wine is frothing / sputtering while poured

- 1) Always depress the Faucet Lever down fully and release quickly.
- 2) Possible leak between the Oversleeve and Siphon Tube. Remove the Oversleeve, reverse direction, and reinstall on the Siphon Tube. One end of the Oversleeve may be a tighter fit than the other. New sleeve tubing is available www.WineKeeper.com under Refills / Parts.

Canister loses nitrogen too quickly

- 1) Check that the Stopper Faucet Assembly is snug in the bottle neck, but not over tightened.
 - 2) Hold Male Quick-Disconnect under water and check for leaks.
 - 3) Inspect the O Ring of the Quick-Disconnect for cuts or splits.
- Soapy water may be applied to all connections to aid in leak detection. *Do not submerge the regulator.*

Wine will not pour

- 1) Canister may be empty. Replace the canister.
- 2) Siphon Tube may be clogged with sediment. Clean the Oversleeve and Siphon Tube. Wine line cleaner and brushes are available at www.WineKeeper.com.
- 3) Oversleeve may be adjusted too low. Raise the Oversleeve slightly.

Wine has poor flavor

Most wines will remain fresh 1-3 weeks. Between bottles, flush the Stopper Faucet by depressing the Faucet Lever and turning the faucet upside down while running hot water backward through the faucet. Dry completely before storing. If poor flavor continues, the Stopper Faucet may need cleaning. *Do not use soap.* Disassemble faucet and clean the Seat Cup and Faucet Assembly. Rinse and dry thoroughly before reassembly.

Refills / Parts

- Nitrogen Canister
- Stopper Faucet
- Regulator
- Expansion Washer
- Cleaning Kit
- Quick Disconnects
- Seat Cup
- Oversleeve tube
- Manifold kits for multiple Stopper Faucet connections



These items and more parts are available online at www.winekeeper.com.

Safety Precautions

Read All Cautions on Canister Label! The purchaser must acknowledge that there are certain hazards associated with the use of compressed gas and use care when handling or operating the dispenser. Never tamper with the regulator. If you suspect a problem, contact WineKeeper.

Watch for wine bottles with cracks or stress fractures, and avoid putting them on the system. Do not hit bottles against solid objects. The bottles are under very low pressure (4 psi), however caution is advisable. Regulators are not designed for any other purpose.

Disposable Canisters vs. Refillable Cylinders

The Disposable Canisters that are used by the non-refrigerated dispensers such as the Keeper, Vintner, and Noir systems, are mandated by law as non-refillable due to their construction. We offer larger cylinders which can be refilled and used by these systems, but require a different regulator (2 stage). This customization is available from WineKeeper, call for more information.