

ACTIVE HUMIDITY **INSTALLATION GUIDE**

***Whisper*KOOL™**
The Coolest Thing In Wine Storage

www.whisperkool.com | Page 1

Copyright © 2012. WhisperKOOL. All rights reserved.

This manual, the product design, and the design concepts are copyrighted by WhisperKOOL, with all rights reserved. Your rights with regard to the hardware and manual are subject to the restrictions and limitations imposed by the copyright laws of the United States of America. Under copyright laws, this manual may not be copied, reproduced, translated, transmitted, or reduced to any printed or electronic medium or to any machine-readable form, for any purpose, in whole or in part, without the written consent of WhisperKOOL.

Every effort has been made to ensure that the information in this manual is accurate. WhisperKOOL is not responsible for printing or clerical errors.

WhisperKOOL reserves the right to make corrections or improvements to the information provided and to the related hardware at any time, without notice.

Vinothèque and WhisperKOOL are registered trademarks, and ECE is a trademark of WhisperKOOL. All rights reserved.

Mention of third-party products is for informational purposes only and constitutes neither an endorsement nor a recommendation. WhisperKOOL assumes no liability with regard to the performance or use of these products.

07.23.13

ACTIVE HUMIDITY OPTION OVERVIEW

ACTIVE HUMIDITY SPECIFICATIONS

Power Consumption	0.2 amps @ 120V/60 Hz
dBa	TBD
Humidistat Range	30-90% RH
Humidistat Accuracy	± 1%
Humidistat Adjustment Increments	1%
Water Supply Feed Rate	0.63 gph @ 40 psi

Use of the Active Humidity Option

Humidity may fluctuate in the wine cellar. The Active Humidity Option stabilizes the environment by adding moisture when the wine cellar is becoming dry. Using a humidistat and a water source, the Active Humidity Option is able to regulate and establish a humid environment suitable for wine storage.

Note: The ideal humidity of a wine cellar is between 50-70%.

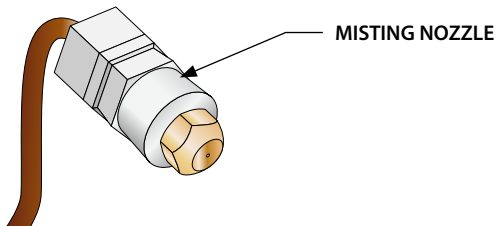
General Active Humidity Option Recommendations

- Water source needs to have at least 40 psi.
- Water tubing size: 1/4" O.D
- Water source should be tested for content and characteristics.
- In areas that are known to have hard water, the use of a Water-Softener System is required.

Note: Failure to install a Water-Softener or a Filtration system will allow an excessive particle residue buildup and may lead to system failure.

- Even if the area is not known to have hard water, the use of a Filtration System (Particle Filter) is required.
- Clean the evaporator coil every 3 months to remove particle residue buildup.
- It might be best to use a Self-Piercing Saddle Valve as a simple connection to a water source.
- Clean or replace the Misting Nozzle every 12 months.

Do not allow water leakage inside of the Unit.



Self-Piercing Saddle Valve

Install a Self-Piercing Saddle Valve to a near by water supply for simple connection to a water source as shown in **Figure 1**.

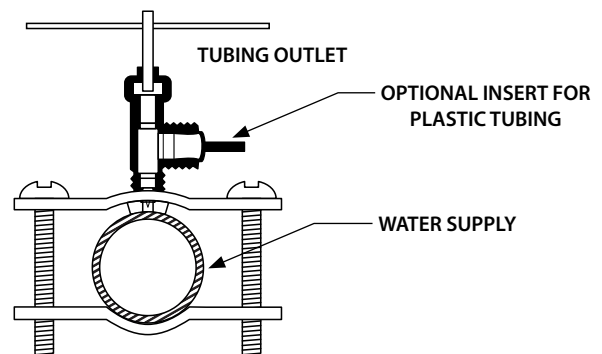


Figure 1

Water Flow Order

- The water supply should pass through either a Water-Softener or a Filtration system before reaching the unit as shown in **Figure 2**.
- Route a 1/4" Copper, Pex or equivalent tubing from the water source and connect to the water inlet fitting on the unit as shown in **Figure 3**.
- Turn on the water and check for leaks.

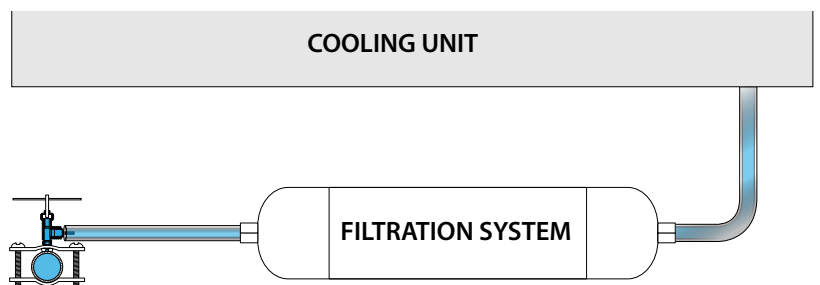


Figure 2

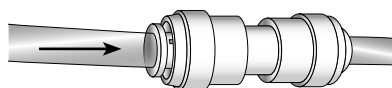


Figure 3

HUMIDISTAT INSTALLATION

Removing the Cover

1. Plug the circular connector from the humidistat cable into the circular connector on the unit as shown in Figure 4.
2. Route the wire from the unit to the desired humidistat location.

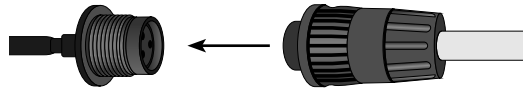


Figure 4

Removing the Cover

1. Move both slide controls to the bottom position.
2. Use a screwdriver to loosen the screws at the bottom of the humidistat as shown in Figure 5.

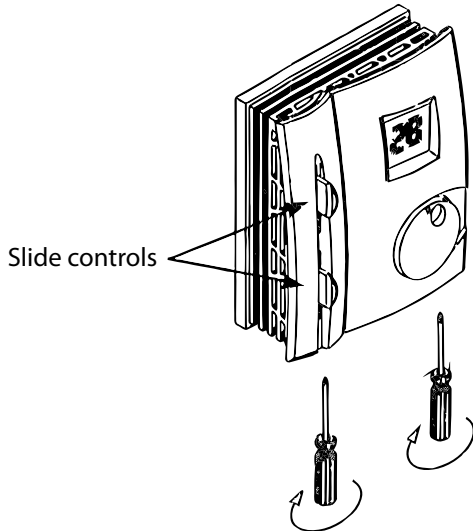


Figure 5

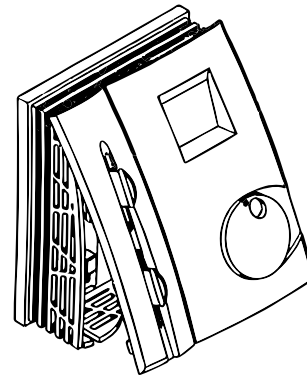


Figure 6

3. Remove the top cover carefully forward and then upward to loosen the top lock. See Figure 6.

Mounting Without a Wall Mount Plate

1. Make sure the power to humidistat electrical wires is shut off at the main electrical box before installing the unit.
2. Position the back half of the humidistat cabinet on the wall or junction box and ensure it is level and covers the junction box completely.
3. Pull the electrical wires through the hole at the terminal block of the humidistat.
4. Drill holes in the wall through the 2 mounting holes in the back of the humidistat cabinet as shown in Figure 7 and insert anchors into the holes.
5. Fasten the humidistat to the wall with screws through the mounting holes.

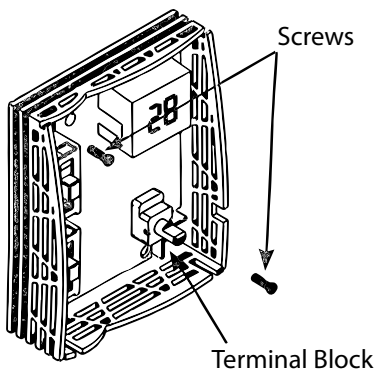


Figure 7

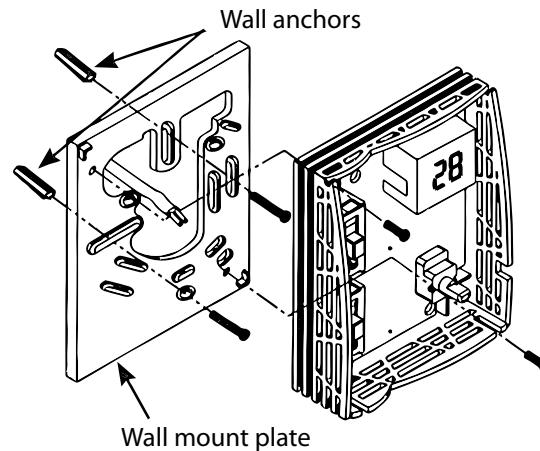


Figure 8

HUMIDISTAT INSTALLATION

Mounting With a Wall Mount Plate

1. Make sure the power to humidistat electrical wires is shut off at the main electrical box before installing the unit.
2. Position the wall mount plate on the wall or junction box and ensure the plate is level and covers the junction box completely.
3. Pull the electrical wires through the hole in the wall mount plate.
4. Drill holes in the wall through the 2 mounting holes in the back of the wall plate as shown in **Figure 8** and insert anchors into the holes.
5. Then drill holes through the 2 mounting holes in the wall plate where the humidistat will attach and insert anchors into the holes.
6. Pull the electrical wires through the hole at the terminal block.
7. Fasten the wall plate with 2 screws through the mounting holes.
8. Then fasten the humidistat to the wall plate with screws through the mounting holes.

Electrical Connection

1. Connect the electrical wires to the corresponding terminals on the terminal block following the circuit diagram inside the top cover of the unit. **See Figure 9**
2. Connect the white wire to the N terminal, the red wire to the 1 terminal and the black wire to the L terminal on the humidistat.

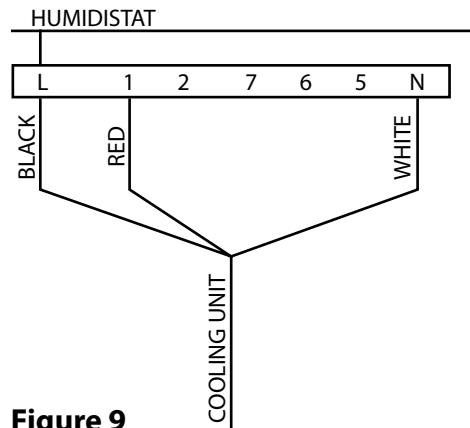


Figure 9

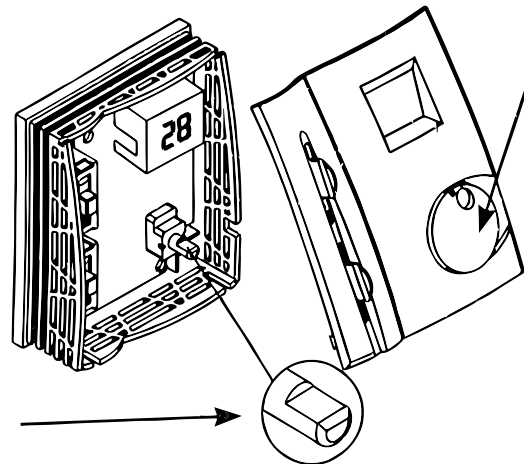


Figure 10 - Make sure the Dial is Vertical and the Adjustment Shaft is Horizontal

Reattaching the Cover

1. Move both slide controls to the bottom position.
2. Align the humidistat adjustment shaft horizontally as shown in **Figure 10**.
3. In order for the humidistat dial to fit on the shaft, it must be aligned with the pointer above the dial.
4. Carefully attach the top cover and ensure the cover locks into place by pushing down on the top and then pushing inward toward the wall.
5. Attach the screws again at the bottom of the cover and tighten into place as shown in **Figure 11**.
6. Check that the adjustment dial and slide controls can be moved smoothly, otherwise remove the cover and check the alignment of the dial and the adjustment shaft and slide controls.

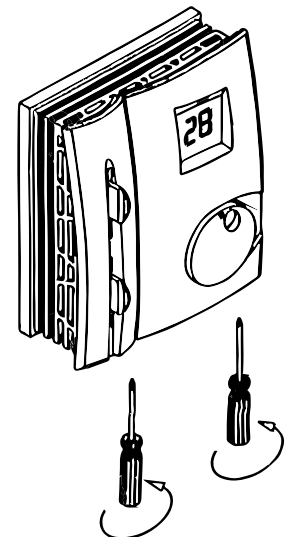


Figure 11

Correct Humidistat Settings

1. Rotate the dial to the desired humidity level.
2. Set the bottom selector switch to the Humid setting.
3. Set the top selector switch to the Hi setting.

*Whisper***KOOL™**

WhisperKOOL
1738 E. Alpine Ave
Stockton, CA 95205
1(800) 343-9463
www.whisperkool.com