

BILD 800 WINE ROOM Owner's Manual



BILD WINE CABINETS

TABLE OF CONTENTS

I.	Important Notes.....	3
II.	Delivery and Inspection	4
III.	Wine Room Assembly Instructions... ..	5
IV.	Placement of Your Wine Room.....	28
V.	Wine Room Set-Up Instructions.....	29
VI.	Cooling Unit Operating Instructions... ..	30
VII.	Bottle Storage Tips.....	37
VIII.	Maintenance Instructions.....	38
IX.	Troubleshooting Guide.....	39
X.	Limited Warranty.....	41
XI.	Contact Information.....	42

DON'T FORGET TO REGISTER YOUR WARRANTY AT:

www.lecache.com/register-lc

To register, you'll need your 7-digit serial number, which you can find on the white label that is located on the left side of the cooling unit.

BILD WINE CABINETS

I. IMPORTANT NOTES

- WHEN TAKING DELIVERY OF YOUR WINE ROOM, FOLLOW THE INSPECTION PROCEDURES DESCRIBED IN CHAPTER II.
- YOU MAY PLUG IN THE COOLING UNIT AT TIME OF DELIVERY TO TEST THAT IT WORKS. ONCE TESTED, WE RECOMMEND SWITCHING "OFF" THE COOLING UNIT AND WAITING FOR 24 HOURS BEFORE NORMAL OPERATION.
- THE COOLING UNIT SHOULD BE PLUGGED INTO AN OUTLET CONNECTED TO A DEDICATED 15-AMP CIRCUIT
- IF THE WALL OUTLET IS DIRECTLY BEHIND THE WINE CABINET, USE AN EXTENSION CORD (GROUNDED; 14 GAUGE OR THICKER) AND COIL THE EXCESS AT THE TOP OF THE CABINET SO THAT YOU WON'T NEED TO MOVE THE WINE CABINET IN THE EVENT THAT THE COOLING UNIT NEEDS TO BE REPLACED.
- WE RECOMMEND PLUGGING THE COOLING UNIT INTO A SURGE PROTECTOR (MINIMUM OF 15-AMPS) TO PROTECT THE ELECTRICAL COMPONENTS FROM POWER SURGES OR SPIKES.
- THE COOLING UNIT SHOULD BE "OFF" WHEN LOADING LARGE QUANTITIES OF BOTTLES. IF THE COOLING UNIT RUNS WHILE THE DOOR IS OPEN, IT WILL CAUSE EXCESS CONDENSATION, LEAKING AND A REDUCTION IN COOLING POWER.

PLEASE NOTE!

*When assembling this unit the components are large and difficult to handle due to the size and weight. **BE CAREFUL WHEN HANDLING AND POSITIONING THE COMPONENTS.***

BILD WINE CABINETS

II. DELIVERY AND INSPECTION

The BILD line is a ready to assemble unit that is shipped with multiple boxes enclosed in an outer layer of packaging for the cabinet and a separate box for the cooling unit. The boxes are strapped to a wooden pallet and shipped by LTL carrier with curbside delivery.

In the event of freight damage, it is critically important that you follow each and every one of the following procedures in the sequence described below.

1. INSPECT THE PACKAGING BEFORE UNPACKING THE BOXES

- The boxes should arrive stacked on a pallet and be strapped together.
- The packaging shouldn't have any tears, holes, marks or other damage.

2. IF YOU FIND DAMAGE TO THE BOXES:

- a. Describe the damage on the bill of lading. Be detailed and descriptive.
- b. Call Le Cache at 1.877.532.2243 **before** the delivery men leave
- c. Save a copy of all freight documents, including the bill of lading with your comment, making sure that everything is legible on your copy

FAILURE TO FOLLOW THESE INSTRUCTIONS MAY RESULT IN A DENIED INSURANCE CLAIM AND/OR BILLING(S) FOR REPAIRS OR RETURNED MERCHANDISE.

BILD WINE CABINETS

III. ASSEMBLY INSTRUCTIONS

The following diagrams provide a step-by-step procedure to assemble the wine room. When undertaking this process the following tips should be employed:

- A set of basic hand tools – screwdrivers and a small set of wrenches – will be helpful, as well as a rubber mallet.
- A second and possibly a third helper will be important when moving the panels, as they are quite heavy
- A large clean, padded area for laying out the pieces and raising assembled pieces
- Make sure the unit can be moved into its final location from the assembly area
- Ensure the door seals well before moving on to next steps as this is a critical point

BILD 800 ASSEMBLY

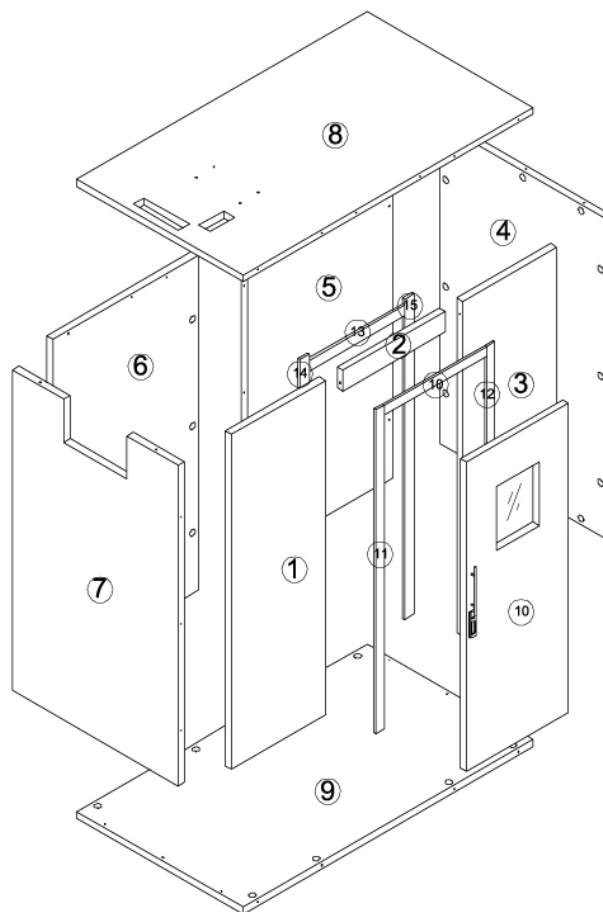


BILD WINE CABINETS

HARDWARE LIST

(A) NUT-45



A

(B) SPACER -45



B

(C) CAM BOLT -45



C

(D) CAP-45



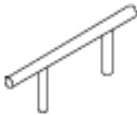
D

(E) SILICONE CAULK- 1



E

(F) HANDLE-1



F

(G) HANDLE BOLT - 2



G

(H) COOLING UNIT CLIP-2
(INC W COOLING UNIT)



H

(I) COOLING UNIT-1



I

(J) LONG HEX BOLT -2



J

(K) MOUNTING CLIP
FOR LIGHT-2
(INC W LIGHT)



K

(L) LIGHT-1



L

(M) HEX WRENCH-1



M

(N) WRENCH-1



N

(O) KEY-3



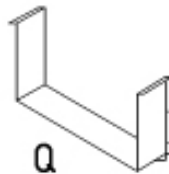
O

(P) BUTYL CAULK-1
(INC W COOLING UNIT)



P

(Q) SADDLE-1



Q

(R) SCREW(m4*14)-20



R

(S) HINGE-3



S

(T) HINGE SCREW-9



T

(U) SCREW(m4*40)-35



U

PARTS DESCRIPTION

1. LEFT FRONT WALL
2. DOOR HEADER
3. RIGHT FRONT WALL
4. RIGHT SIDE WALL (OR LEFT)
5. RIGHT REAR WALL
6. LEFT REAR WALL

7. LEFT SIDE WALL (OR RIGHT)
8. CEILING
9. FLOOR
10. DOOR
- 11-16. DOOR JAMB

BILD WINE CABINETS

Step 1

ASSEMBLE SIDE WALLS ONTO FLOOR.

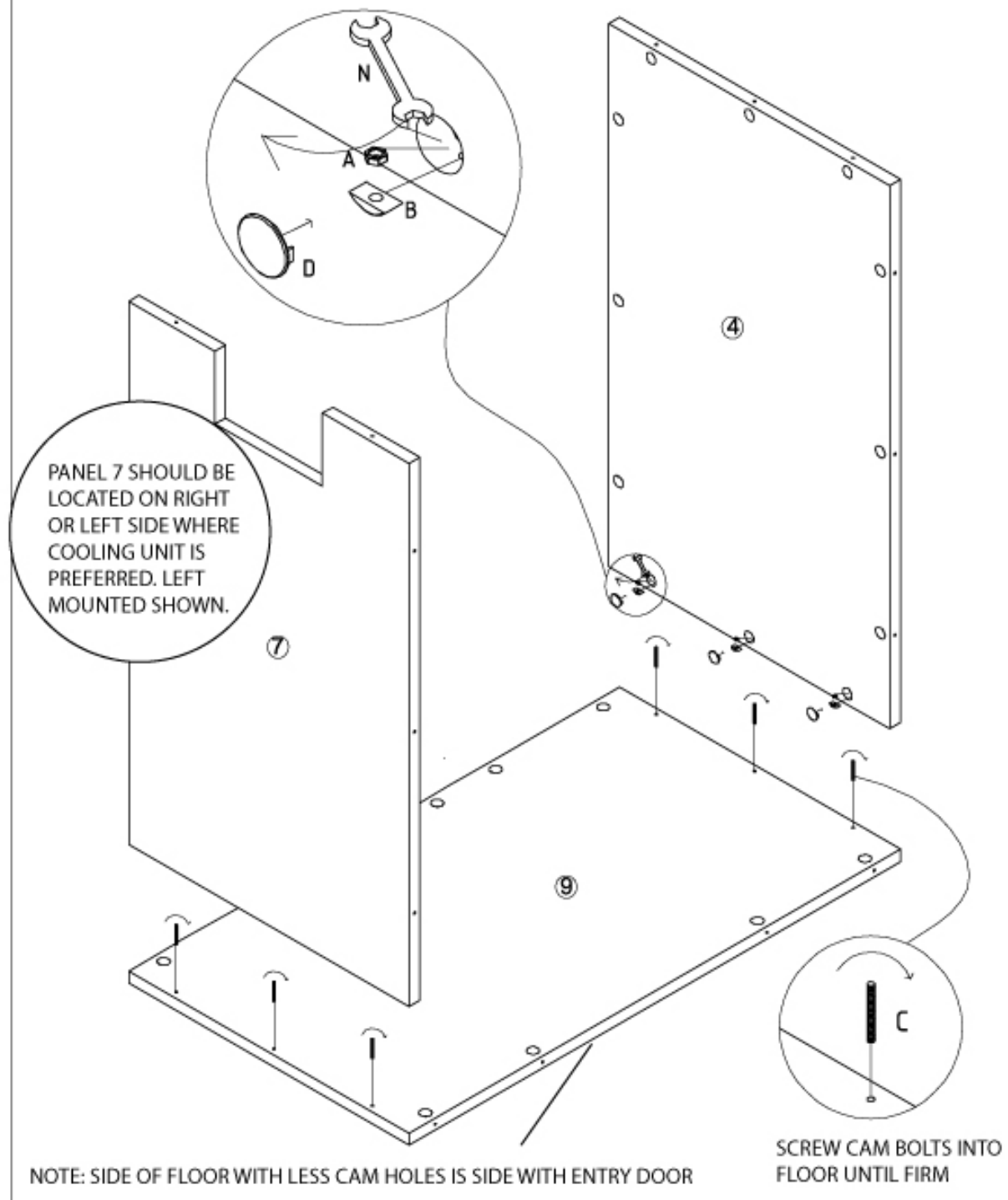
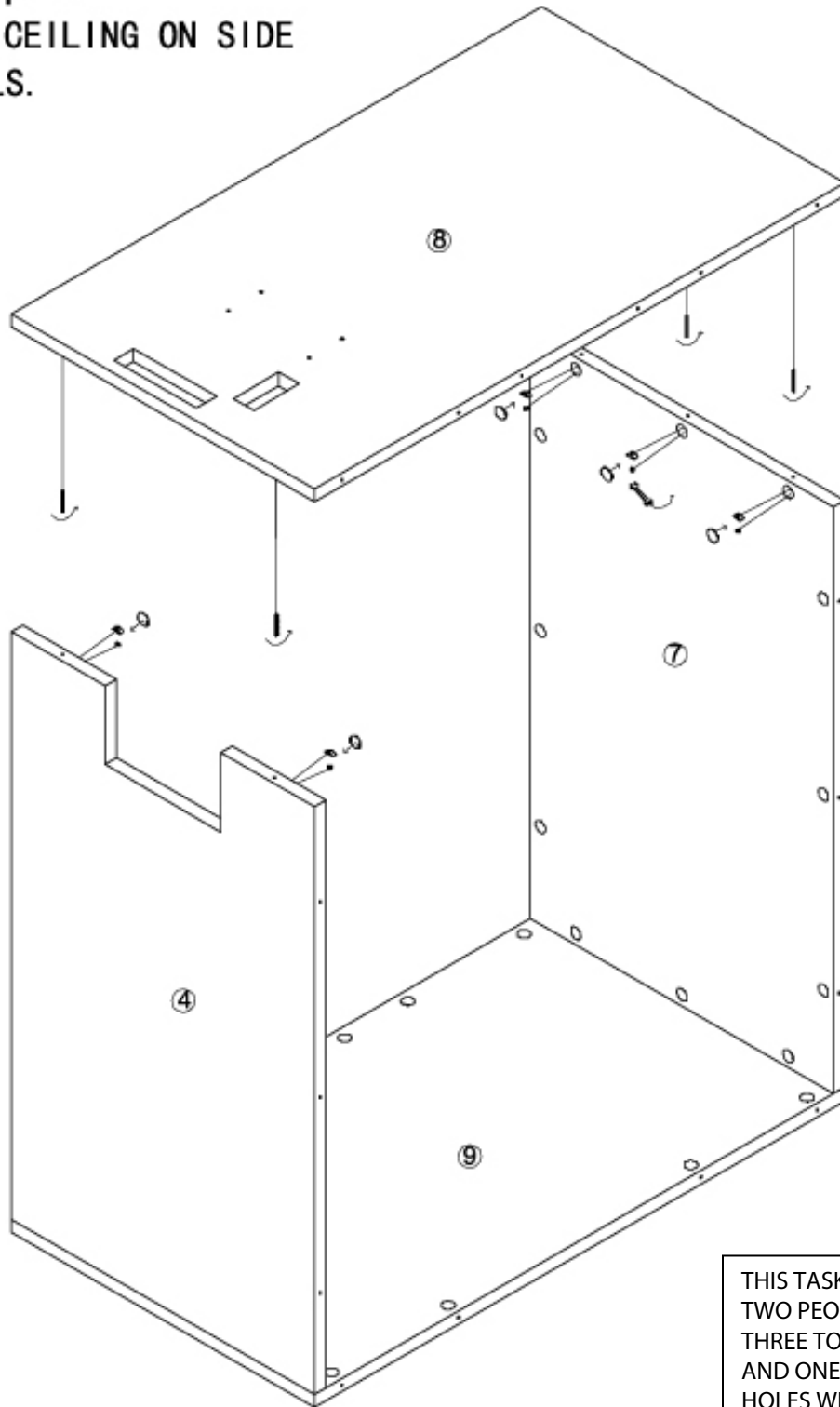


BILD WINE CABINETS

Step 2

PUT CEILING ON SIDE WALLS.



THIS TASK REQUIRES AT LEAST TWO PEOPLE AND IDEALLY THREE TO STEADY THE PANEL AND ONE TO LOCATE THE HOLES WHILE ON A STEP LADDER

NOTE: LEFT SIDE COOLING UNIT SHOWN ABOVE

BILD WINE CABINETS

PUT CEILING ON SIDE
WALLS - RIGHT SIDE COOLING
UNIT MOUNT SHOWN

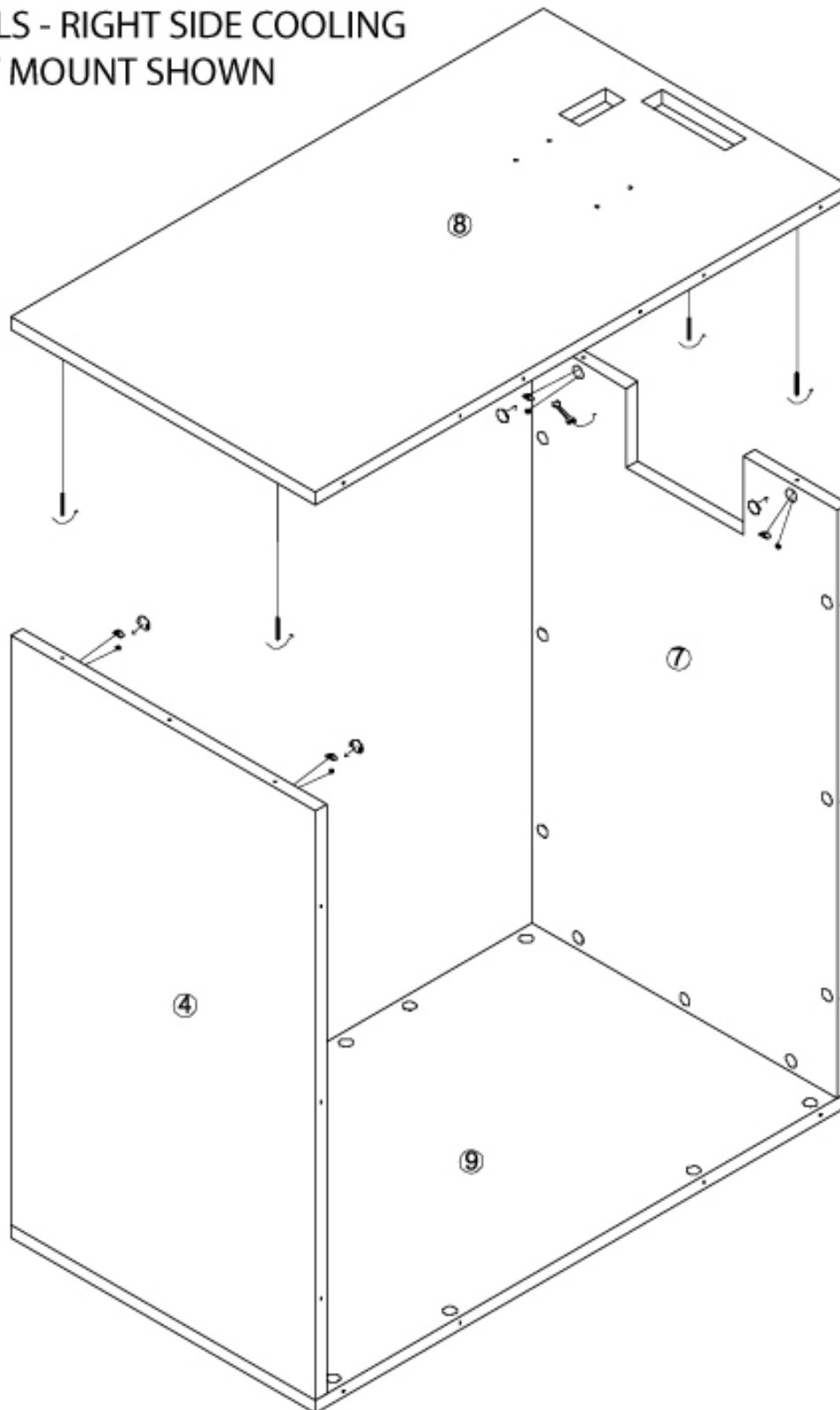


BILD WINE CABINETS

Step 3

ASSEMBLE REAR WALL.

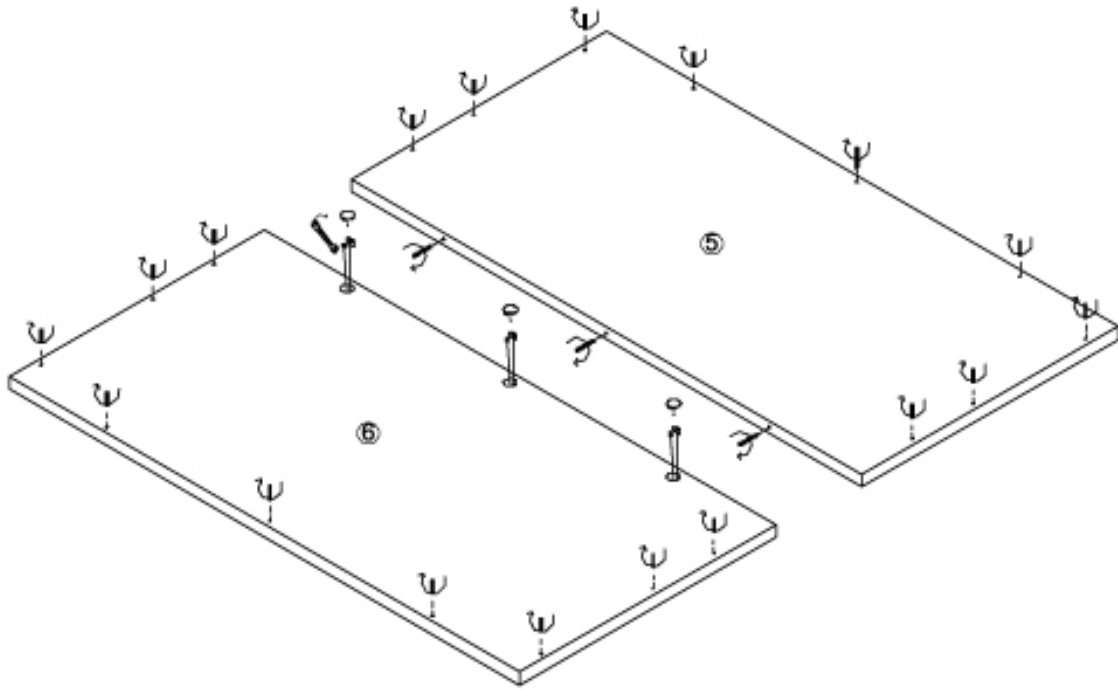


BILD WINE CABINETS

Step 4 ADD BACK WALL.

TIP: MOVE UNIT INTO FINAL POSITION AND INSERT ANY SUPPORTS FOR FLOOR AT THIS POINT.

THIS WALL IS THE HARDEST TO FIT. USE A RUBBER Mallet TO HELP ALIGN THE BOLTS. A SHIM FOR THE BOTTOM OF THE WALL SECTIONS WILL ALSO HELP LINE UP THE BOLTS. SOME ENLARGING OF THE HOLES WITH A DRILL IS ACCEPTABLE IF IT MAKES GETTING THE WALL INTO POSITION EASIER.

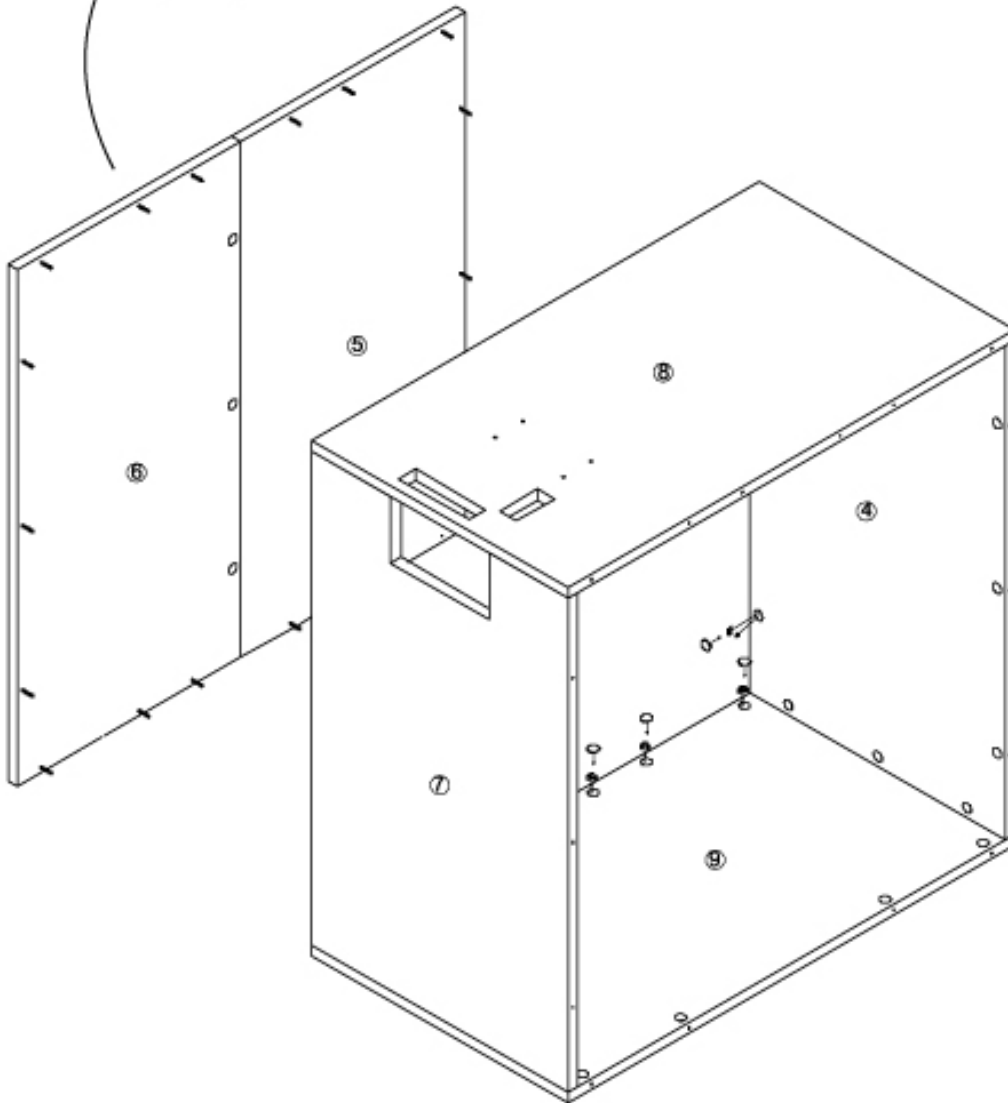
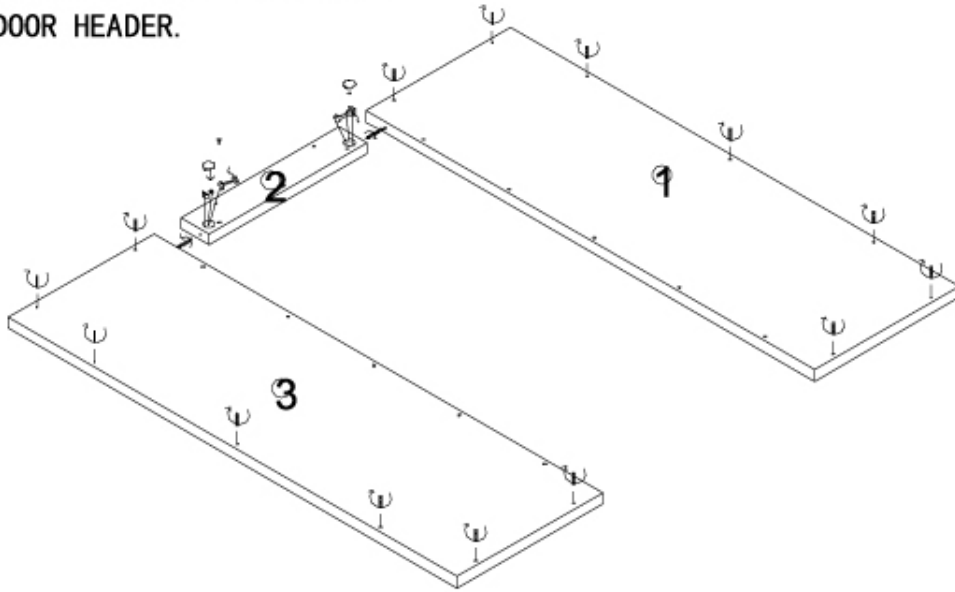


BILD WINE CABINETS

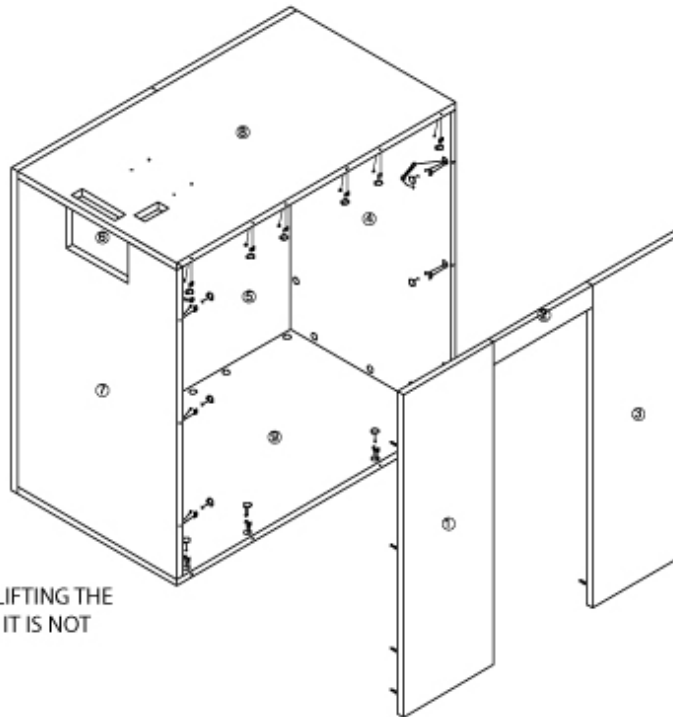
Step 5

ASSEMBLE FRONT WALL WITH
DOOR HEADER.



Step 6

INSTALL FRONT WALL.



BE VERY CAREFUL WHEN LIFTING THE
FRONT WALL SECTION AS IT IS NOT
VERY STABLE.

BILD WINE CABINETS

Step 7 INSTALL OUTSIDE DOOR JAMB

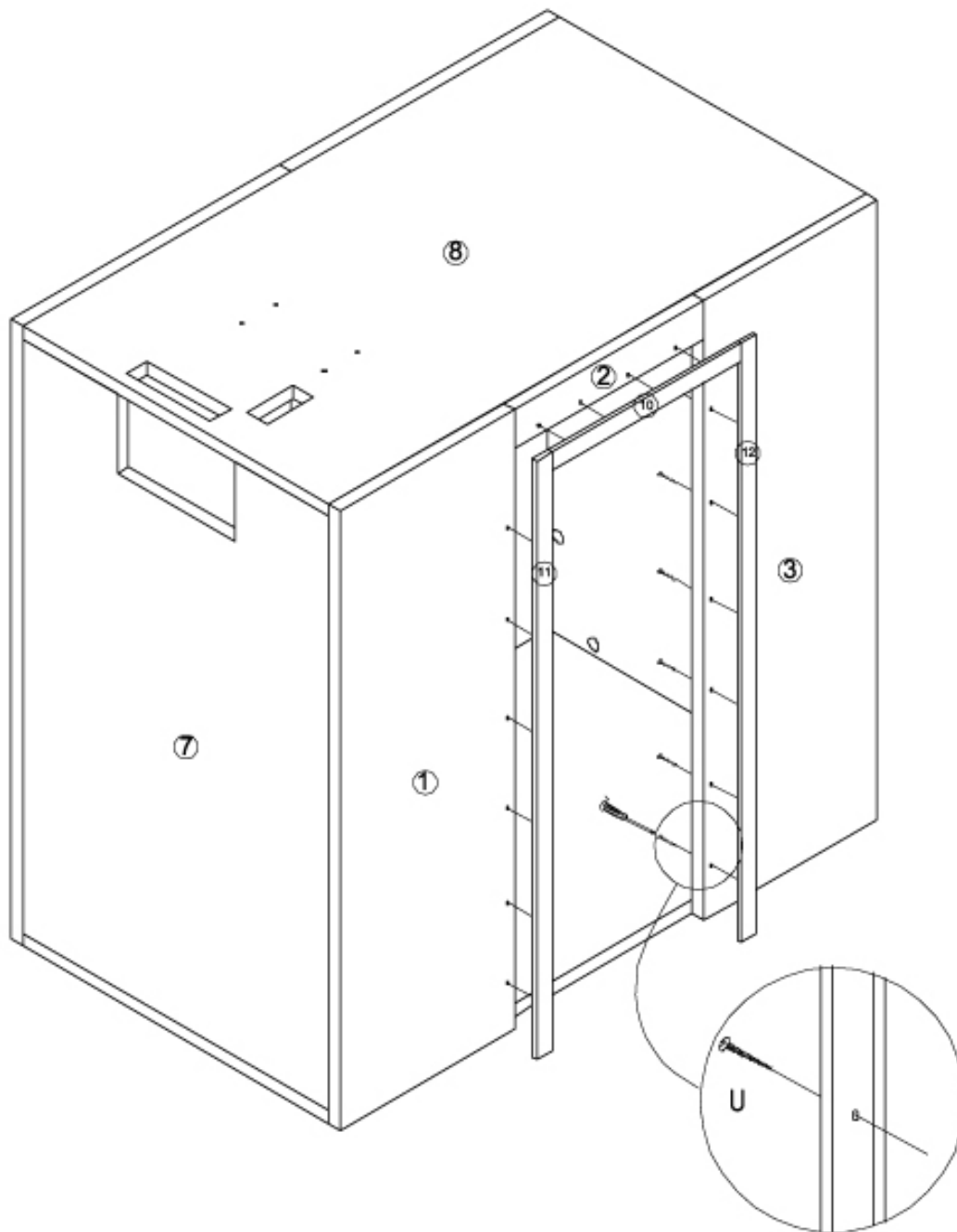


BILD WINE CABINETS

Step 8

INSTALL INSIDE DOOR JAMB.

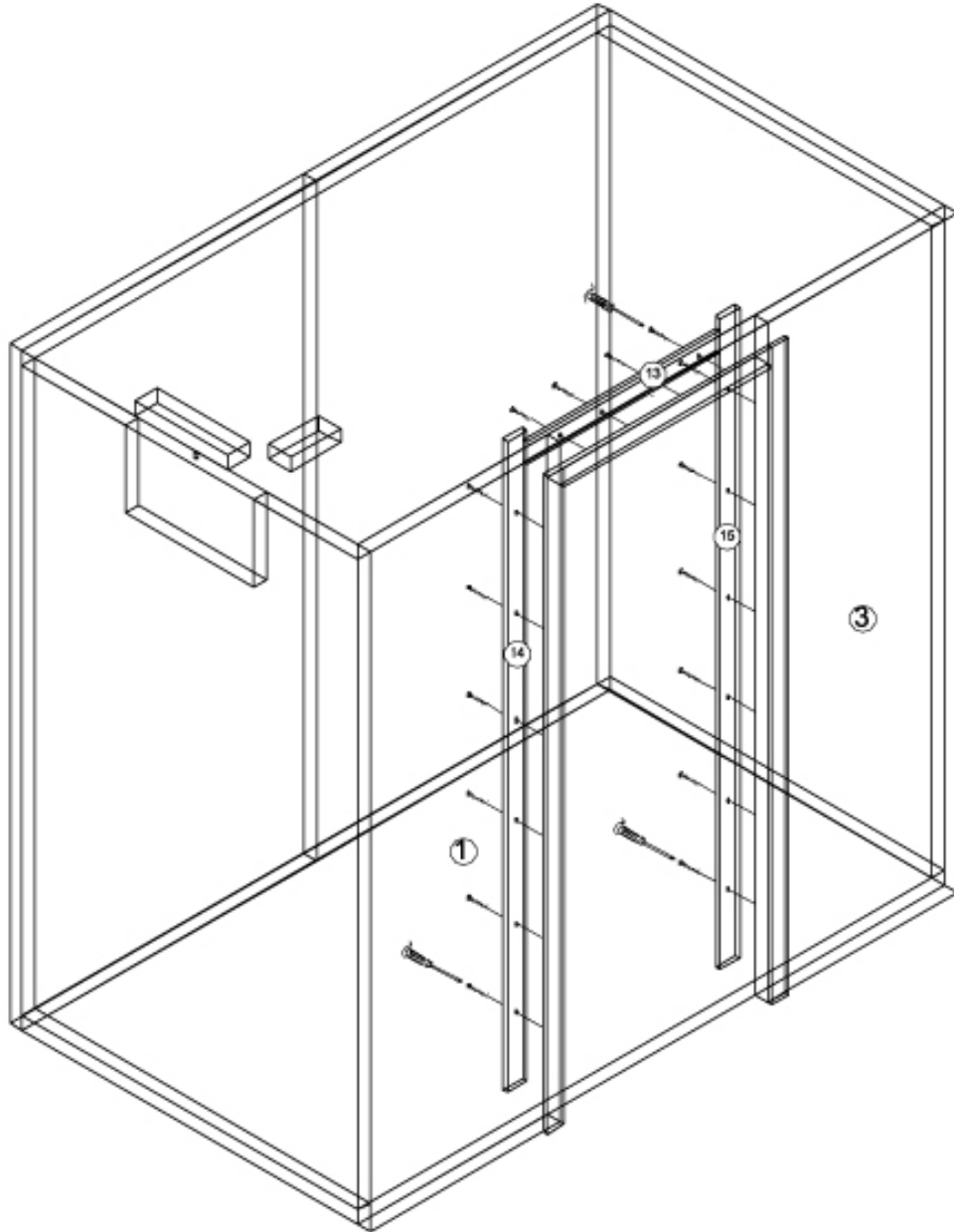


BILD WINE CABINETS

Step 9
INSTALL DOOR.

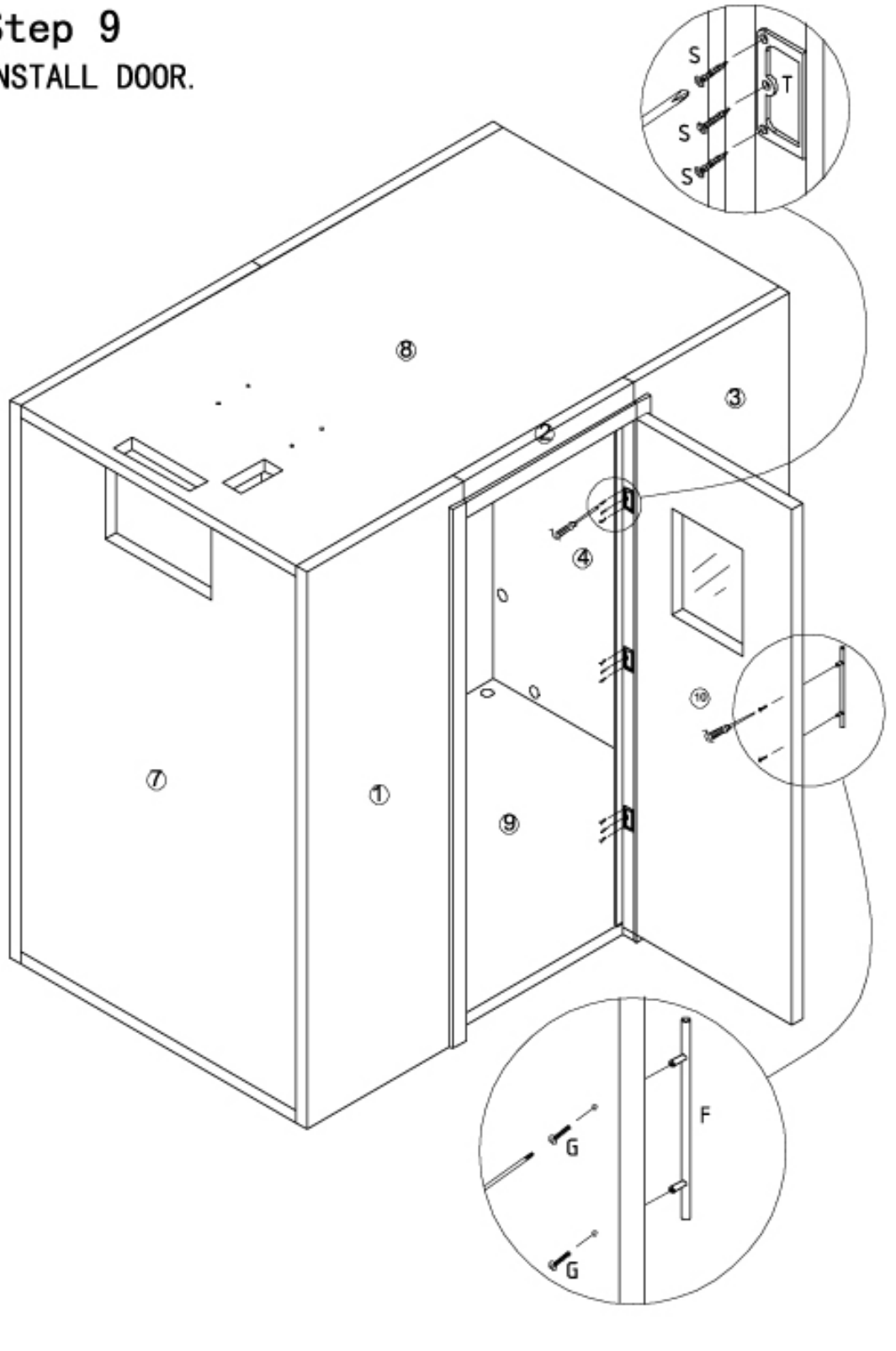


BILD WINE CABINETS

Step 10

ASSEMBLE SADDLE AND COOLING UNIT

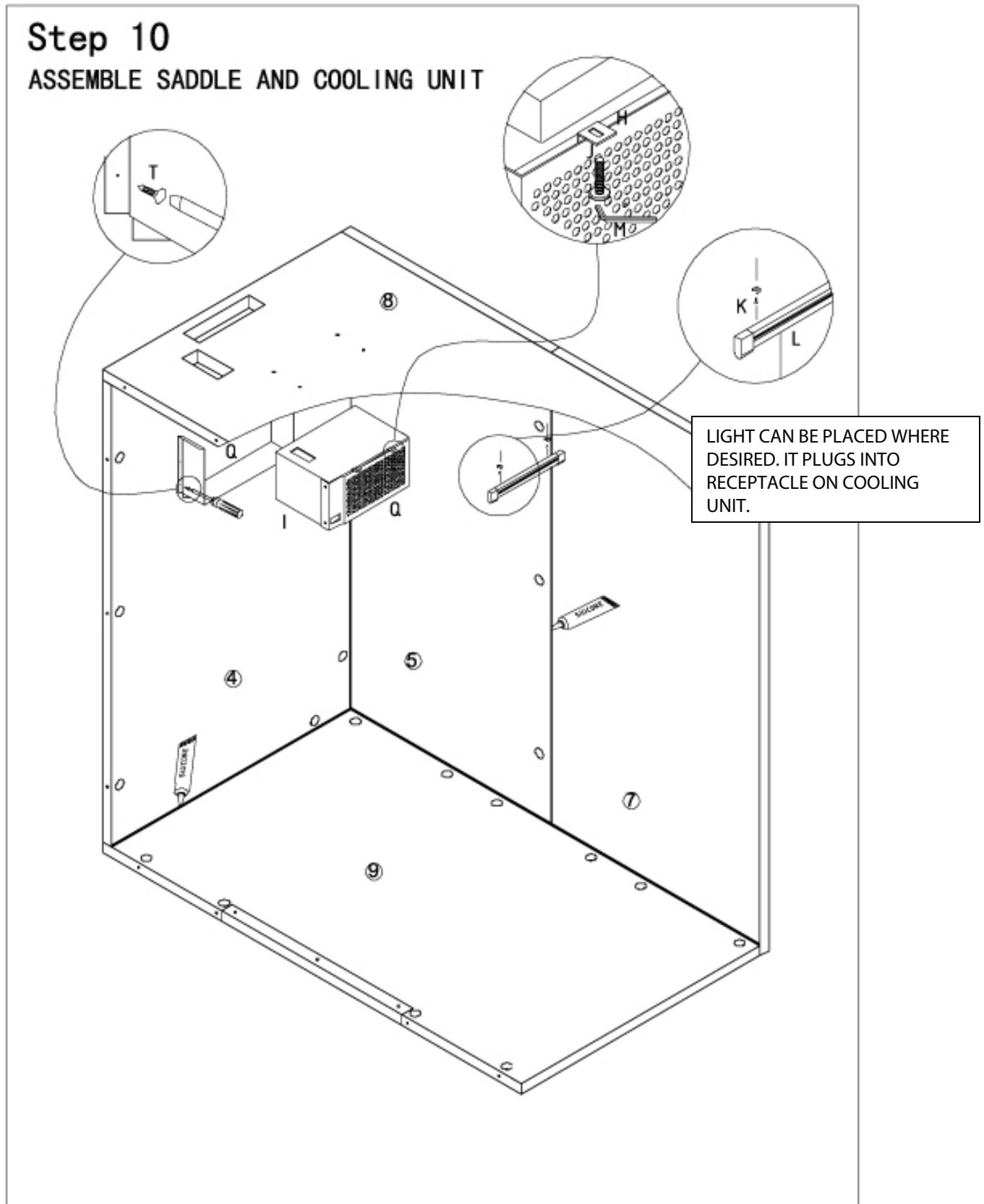
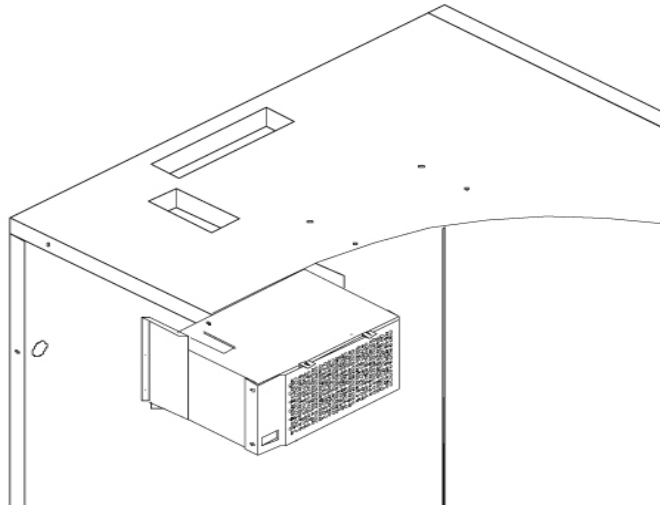
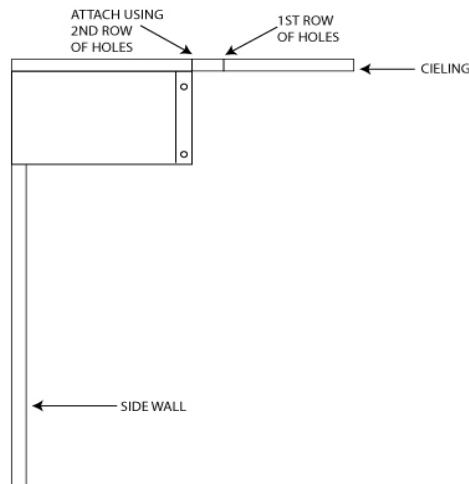


BILD WINE CABINETS

TOP VENTED INSTALLATION



REAR VENTED INSTALLATION– SIDE VIEW OF UNIT



TIPS:

- MOUNTING CLIPS FOR COOLING UNIT CAN BE PLACED IN HOUSING BY REMOVING GRILL. BOLTS SCREW INTO CEILING INSERTS.
- COOLING UNIT CAN BE TOP VENTED - USE 1ST ROW OF HOLES IN CEILING. FOR REAR VENTING USE SECOND ROW OF HOLES.
- TOP VENTING ALLOWS WINE ROOM WALL WITH COOLING UNIT BE 2-3 INCHES AWAY FROM AN ADJACENT WALL.
- USE SADDLE PROVIDED IF COOLING UNIT TOP-VENTED.
- SADDLE NEEDS TO LINE UP WITH OPENING IN WALL – REGARDLESS OF PILOT HOLES.
- REAR VENTING OF COOLING UNIT REQUIRES 4 INCHES CLEARANCE ON SIDE.
- PLACE SUPPLIED FOAM IN SADDLE WHEN TOP-VENTED.
- USE BUTYL TAPE TO SEAL ALL CONTACT POINTS AROUND THE COOLING UNIT.

BILD WINE CABINETS

Step 11

USING INSTRUCTIONS FROM FOLLOWING SECTION - PLACE 10 COLUMN RACKS INTO EITHER SIDE OF ROOM AND USE "L" BRACKETS TO ATTACH RACKS TO THE WALL.

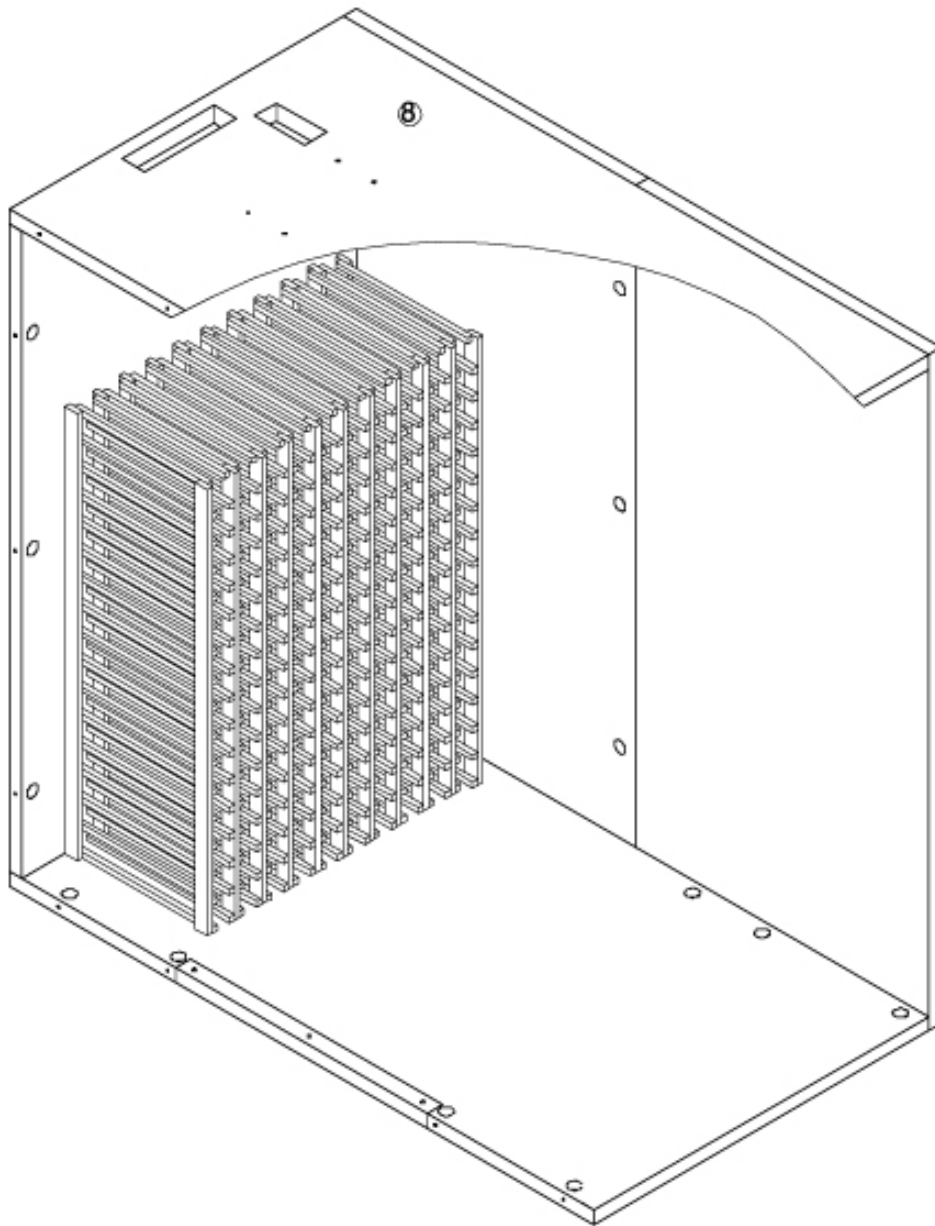


BILD WINE CABINETS

Step 12

AFTER INSTALLING 10 COLUMN RACK, INSTALL TWO "5 COLUMN" RACKS. ROOM IS READY TO USE.

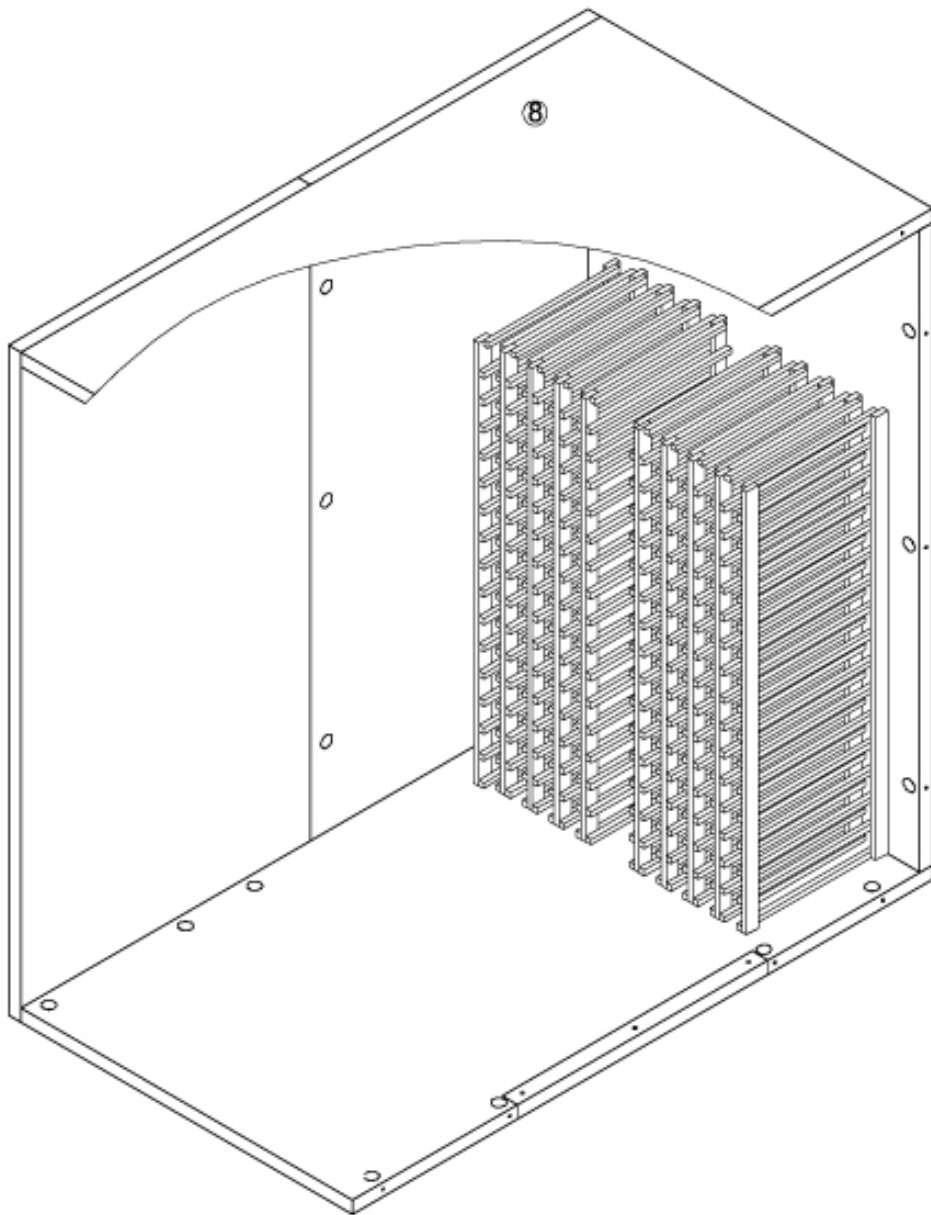
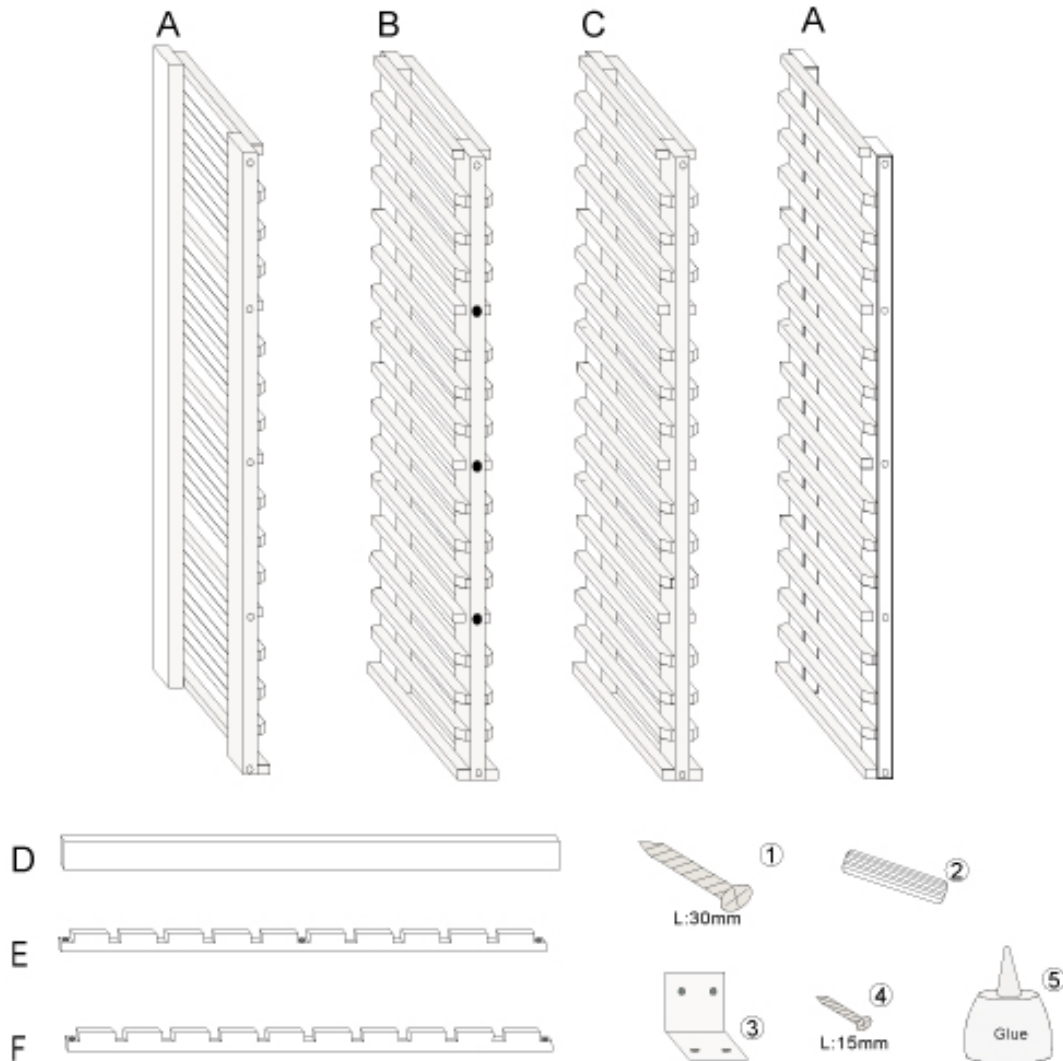


BILD WINE CABINETS

10 Column Rack Assembling Illustration

1. Confirm there are the following parts in the box before assembling it.



Parts list of 10 column Rack:

25.4 mm = 1 inch

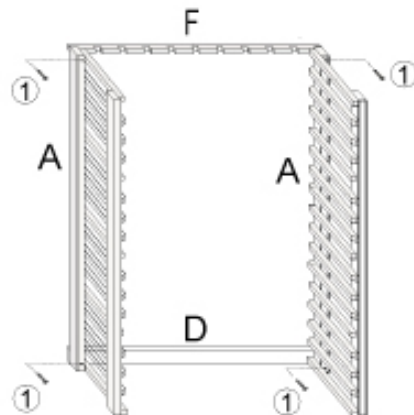
1. Left and right side vertical frame A--2pc
2. Middle vertical Frame B--1pc (with dowel holes in front and rear)
3. Middle vertical Frame C--8pcs
4. Flat support D--2pcs
5. Upper support F--2pcs (with 11 screw holes)
6. Middle support E--6pcs (with middle dowel holes)
7. Screw ①-- 56pcs, length is 30mm
8. Wood dowel ② 6pcs
9. Corner fixed plate ③ 4pcs
10. Screw ④--16pcs, length is 15mm
11. Glue ⑤--1 bottle

BILD WINE CABINETS

2. Before assembling, you will need the following tools (*not included*):

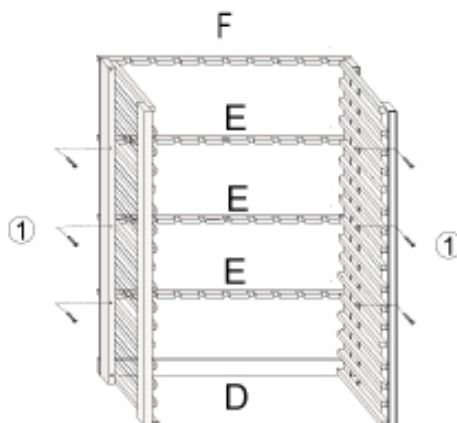
- 1) Phillips Screw driver 2) Rubber hammer 3) Clean cloth 20mmx20mm 1pc

3. Start to assemble it step by step:



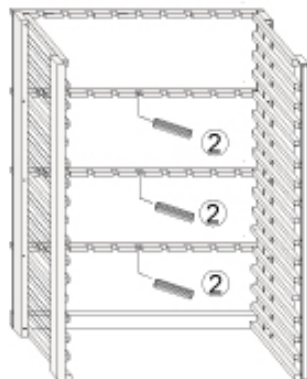
Step 1:

- 1) Take 2pcs of A frame
1pc flat support D, 1pc upper support F
- 2) At the top of frame A, there are screw holes, from the back of frame A, insert 30mm length screw, use screw driver to screw it with upper support F.
- 3) At the bottom of frame A, there are screw holes, from the back of frame A, insert 30mm length screw, use screw driver to screw it with flat support D.



Step 2:

- 1) Take 3pcs middle support E
- 2) From the back of frame A, insert 30mm length screws, use screw driver to screw it with middle supports E.



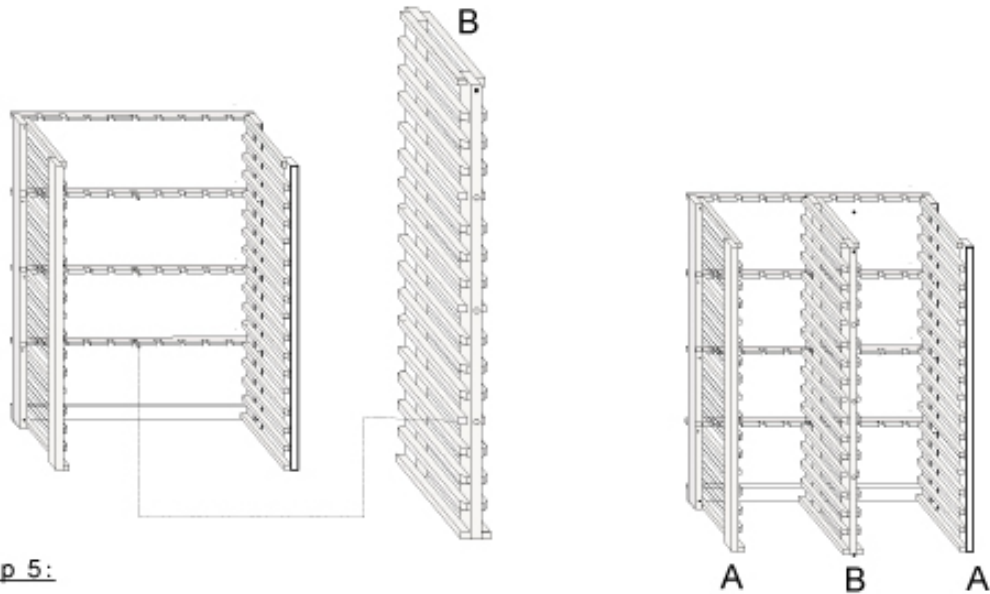
Step 3:

- 1) Take 3pcs of the wood dowels and the glue bottle.
- 2) At the middle of the middle support E, there are dowel holes. Take a dowel and with some glue at one end then insert into the dowel hole, use a hammer and tap it in. Do this for all 3 dowels.

BILD WINE CABINETS

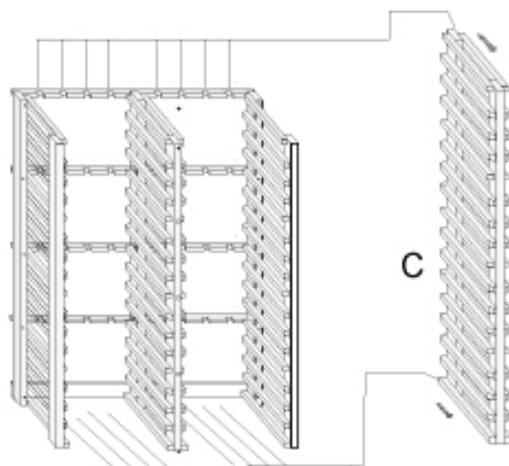
Step 4:

- 1) Put glue at the other end of dowels from step 3, Attach the middle frame B with these dowels, use hammer to tap it tightly from the outside of middle support.
- 3) At the top and bottom of middle frame B, there are 2 screw holes, from the back of frame B's vertical post, insert 30mm length screw, and tighten with upper support F and bottom flat support D.



Step 5:

- 1) Take 8pcs Middle frame C 16pc 30mm length screw
- 2) Make sure the post of Frame C fixed into the notch of upper support and middle supports.
- 3) At the top and bottom of middle frame C, there are 2 screw holes at each side of frame C, From the back of frame C's vertical pole, insert 30mm length screw, and tighten with upper support F and bottom flat support D.



If you feel it is difficult to assemble you can lay it down !! But avoid scratching the surface.

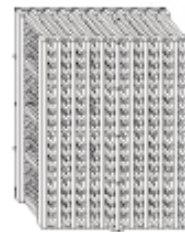
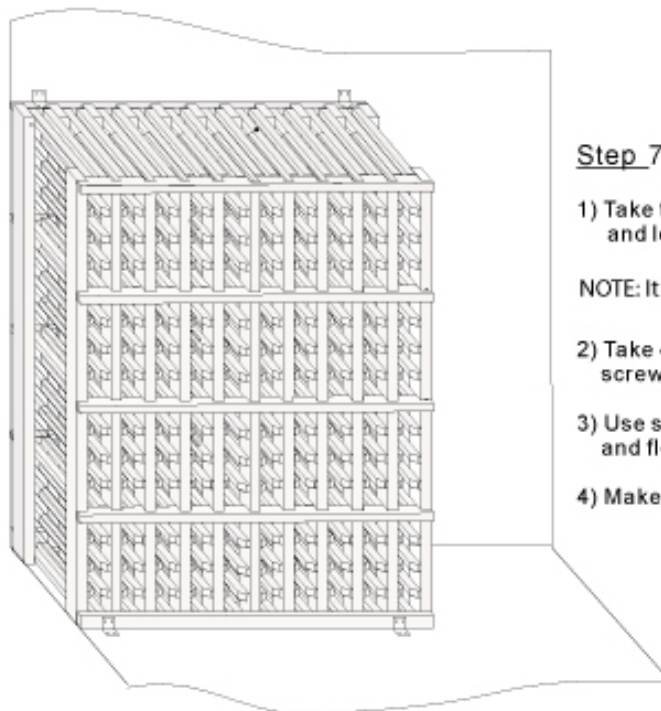
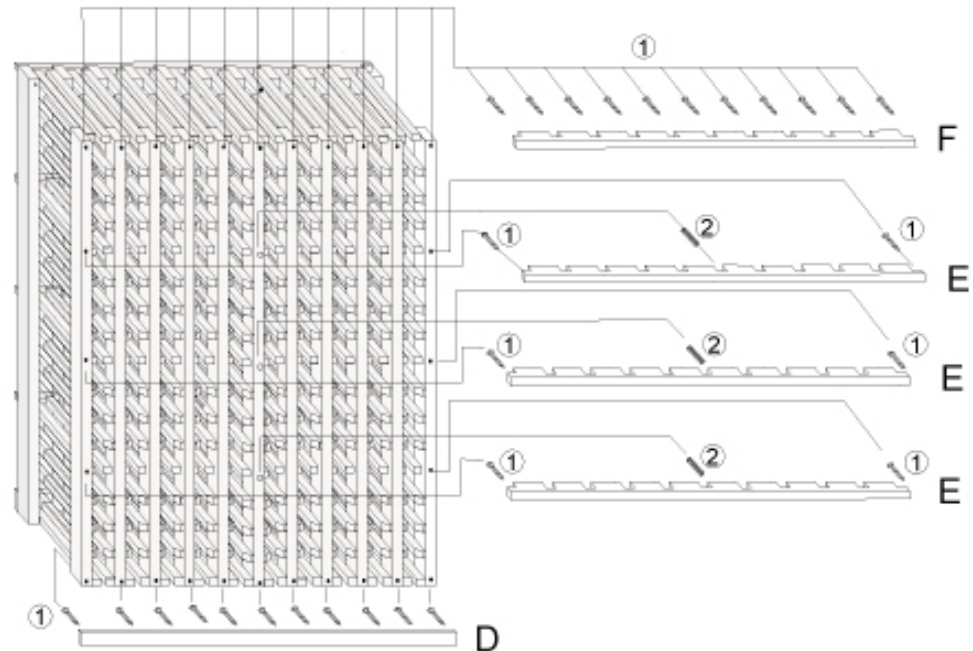


BILD WINE CABINETS

Step 6:

As in the previous steps, assemble other side supports.



Step 7:

1) Take the assembled rack into the winerroom and locate on either side.

NOTE: It is best to put the 10 column rack in the room first

2) Take 4pcs corner plate and 16pcs 15mm length screw.

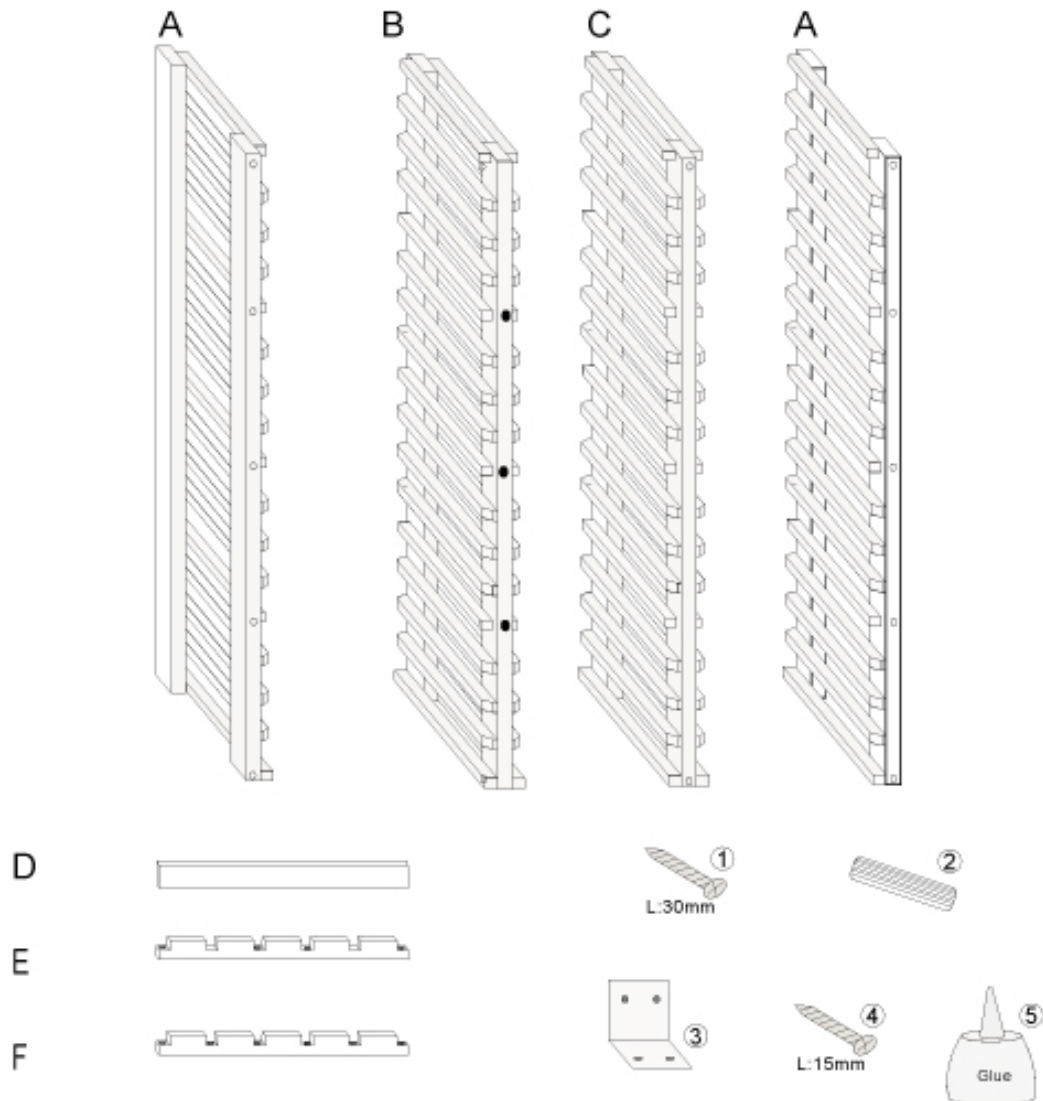
3) Use screw driver to attach the rack to the wall and floor.

4) Make sure the rack is stable.

BILD WINE CABINETS

5 Column Rack Assembling Illustration

1. Confirm there are the following parts in the box before assembling it.



Parts list of 5 column Rack:

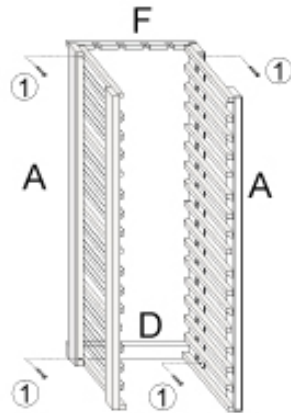
1. Left side vertical frame A--2pcs
2. Middle vertical Frame B--2pcs (with dowel holes in front and rear)
3. Middle vertical Frame C--2pcs
4. Flat base support D--2pcs
5. Upper support F--2pcs (with 6 screw holes)
6. Middle support E--6pcs (with 2 middle dowel holes)
7. Screw①-- 36pcs, length is 30mm
8. Wood dowel②--12pcs
9. Corner fixed plate③4pcs
10. Screw④--16pcs, length is 15mm
11. Glue⑤--1 bottle

BILD WINE CABINETS

2. Before assembling, you will need the following tools (not included):

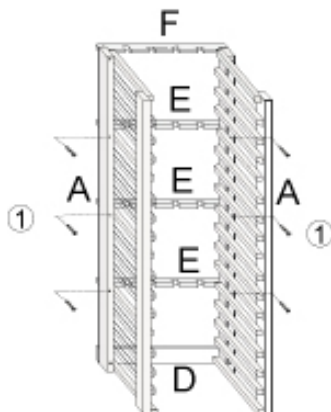
- 1) Phillips Screw driver
- 2) Rubber hammer
- 3) Clean cloth 20mmx20mm 1pc

3. Start to assemble it step by step:



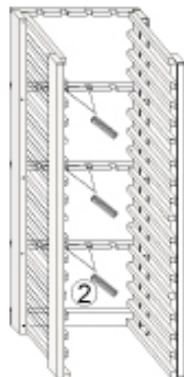
Step 1:

- 1) Take 2pcs of A frame
1pc flat support D, 1pc upper support F
- 2) At the top of frame A, there are screw holes, from the back of frame A vertical pole, insert 30mm length screw, use screw driver to screw it with upper support F.
- 3) At the bottom of frame A, there are screw holes, from the back of frame A insert 30mm length screw, use screw driver to screw it with flat support D tightly.



Step 2:

- 1) Take 3pcs of middle support E
- 2) In the relevant holes insert 30mm length screw, use screw driver to screw it with the middle supports E.



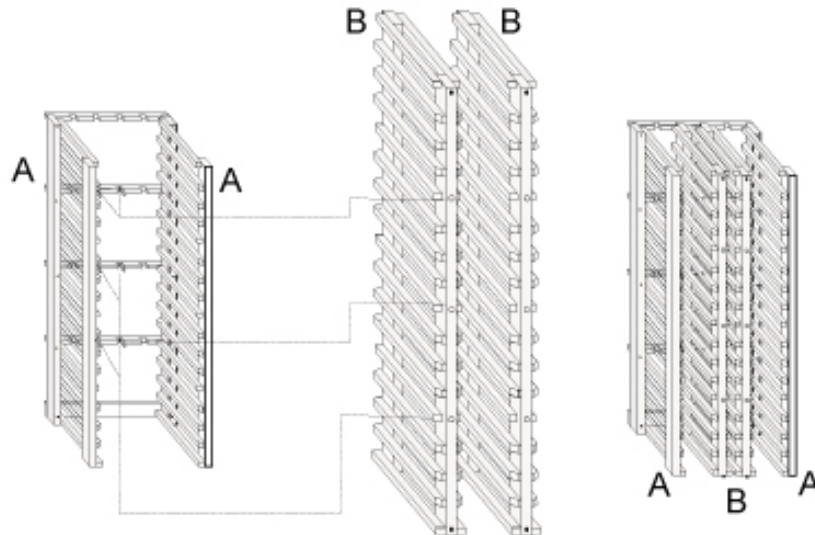
Step 3:

- 1) Take 6 pcs of the wood dowels and the glue bottle.
- 2) For each of Middle support E, there are 2 dowel holes at the middle of the support. Take 1 dowel and glue at one end then insert into the dowel hole, use hammer to tap it. The same method for the next 5 dowels.

BILD WINE CABINETS

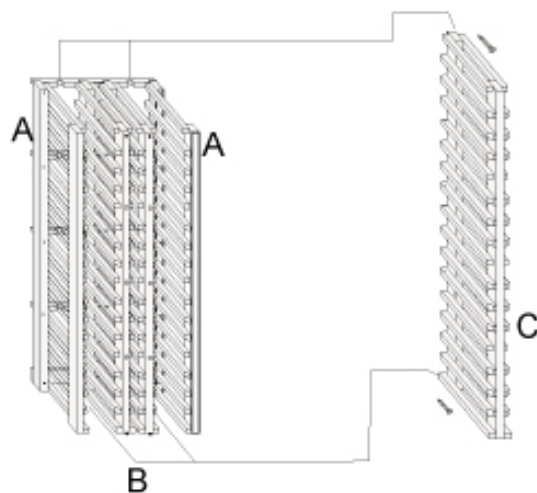
Step 4:

- 1) Take 2pcs of the Middle vertical frame B and 4x30mm length screws
- 2) Put glue at the end of the dowels that from step 3, Fix the middle frame B with these dowels, use hammer to tap it tightly from the outside of middle support.
- 3) At the top and bottom of middle frame B, there are 2 screw holes, from the back of frame B's vertical post, insert 30mm length screw, use screw driver to screw it tightly with upper support F and bottom flat support D.



Step 5:

- 1) Take 2pcs of Middle frame C and 4x30mm length screws.
- 2) Make sure the post of Frame C fixed into the notches of upper support and middle supports.
- 3) At the top and bottom of middle frame C, there are 2 screw holes on each side of the post in frame C, From the back of frame C's vertical post, insert 30mm length screw, use screw driver to screw it into the upper support F and bottom flat support D.



If you feel it is difficult to assemble you can lay it down !! But avoid scratching the surface.

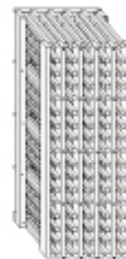
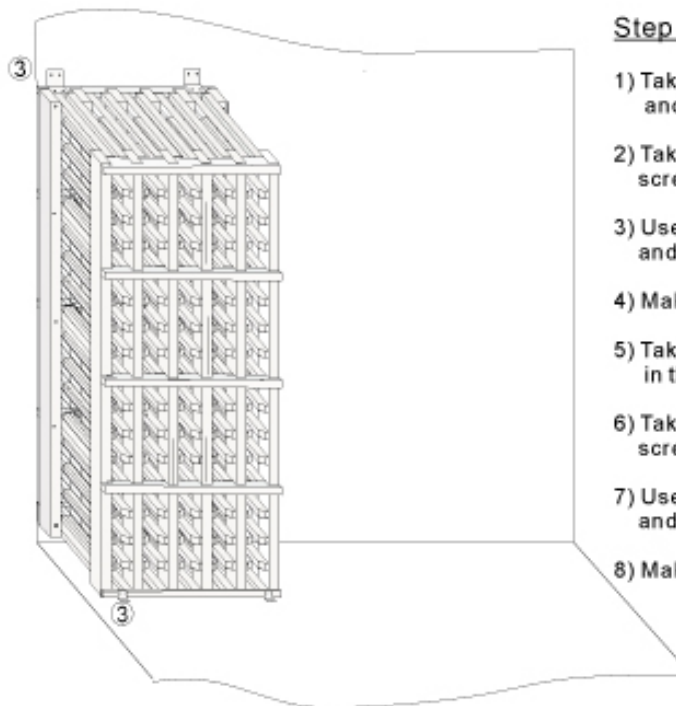
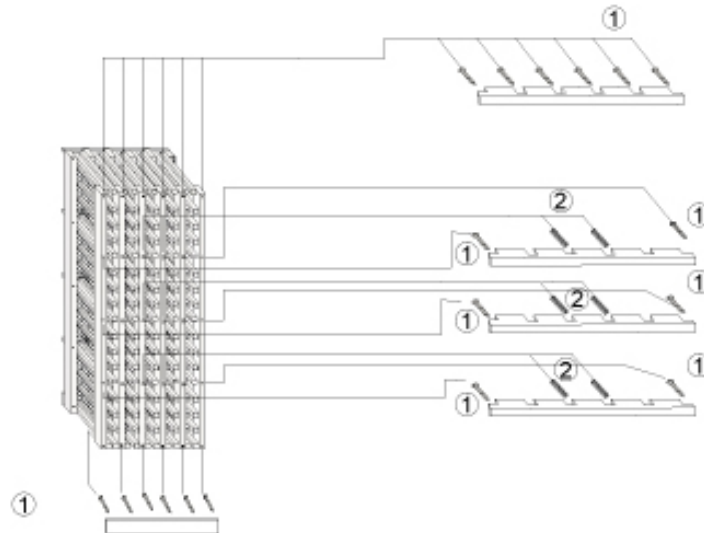


BILD WINE CABINETS

Step 6:

As in previous steps, assemble other side supports.



Step 7:

- 1) Take the assembled rack into the winerom and locate opposite the 10 column rack.
- 2) Take 4pcs corner plate and 24pcs x 15mm length screw.
- 3) Use screw driver fix the rack on the wall and floor.
- 4) Make sure the rack is stable.
- 5) Take another 5 column rack and place in the room.
- 6) Take 4pcs corner plate and 16pcs x 15mm length screw.
- 7) Use screw driver fix the rack on the wall and floor.
- 8) Make sure the rack is stable.

BILD WINE CABINETS

IV. PLACEMENT OF YOUR WINE CABINET

VENTILATION REQUIREMENTS

The hot air generated by the cooling unit is ventilated through the top of the wine room or out the rear, depending on the configuration. Consequently, wine rooms must have sufficient clearance above the cellar for hot air to dissipate, or else the hot air must be channeled away from the cooling unit. If the hot air cannot be dissipated or channeled, the cooling unit will recycle its own hot air, and therefore it will be unable to maintain cold temperatures inside the wine cabinet and/or will run all the time.

- These units are top vented and require 18 inches of clearance **above** the wine cellar
- The sides always need to be open – ie alcoves, closets or other built-in installations will not work without an active duct system with an inline fan.
- The cooling unit should not be placed flat against the wall as it needs some space for the air intake – 2 inches clearance is advised.

FLOOR SURFACE

Because of the significant weight of your wine cabinet, it is important that it be placed on a hard surface or on supports to elevate it above the floor. Supports could be 2 x4's or similarly long supporting beams. This approach of elevating the cellar is a good idea if there is some risk of moisture accumulating under the cellar.

POWER REQUIREMENT

The cooling unit plugs into a standard wall outlet. The components of the cooling unit draw 3 amps, and the electric outlet on the side of the cooling unit also is rated for 3 amps. The cord extends 6 ½ feet from the cooling unit. If an extension cord is used, it should be 14-gauge wire or thicker, grounded, and as short as possible. We recommend using a surge protector rated at 15 amps or more.

WEIGHT LOAD FACTOR

After loading your wine cabinet with wine bottles, it will be extremely heavy. When selecting a location for your cabinet, make sure that the floor underneath is strong enough to support the weight of the cabinet.

Bild Series	Approximate Weight (lbs)		
	Empty Cabinet	Bottles	Total – Full Cabinet
800	450	2,400	2,850

BILD WINE CABINETS

V. WINE ROOM SET-UP INSTRUCTIONS

LEVELING INSTRUCTIONS

The first step in setting up your wine room is to make sure that it is level. By using shims you can elevate the sides or front/back sections to ensure the door has the best chance to function well and provide a good seal.

DOOR ALIGNMENT INSTRUCTIONS

After leveling the room, the door must be aligned with to create an airtight seal inside the room. Air leaks caused by improper door alignment will compromise the environment inside the cabinet, and may create condensation which, left untreated, will cause warping of the door. Follow the instructions below to properly align your door.

- The plane of the top of the door should be parallel to the plane of the ceiling of the wine room. If the non-hinge (i.e. left) corner of the door is too high, go to the RIGHT SIDE of the room and increase the height of the side. If the non-hinge corner is lower than the cabinet, go to the LEFT SIDE of the room and raise the height. After adjusting the height, open and shut the door, and check again to see if the door is aligned.
- If the top corner of a door is sticking out more than 1/8 inch, you have "top torque". If the bottom corner of a door is sticking out more than 1/8 inch, you have "bottom torque". With a level, check and make sure that all the walls are level. Use shims where necessary to do this.

BILD WINE CABINETS

VI. COOLING UNIT OPERATING INSTRUCTIONS

COOLING UNIT SPECIFICATION

The wine room is offered with the 1800XTS which covers a wide range of conditions. For extreme conditions, greater than 95 degrees ambient temperatures, consult your dealer or Le Cache for other cooling unit alternatives.

AIR FILTER

All wine cabinets include an air filter that magnetically attaches to the rear of the cooling unit. To replace the filter, remove the filter frame from the rear of the cooling unit and replace the air filter when it becomes dirty. The frequency can be anywhere from 3 to 9 months depending on the conditions in your location.

When replacing the filter, the blue fibers should face the cooling unit, and the white fibers should face away from the cooling unit. Replacement filters may be purchased at www.lecache.com.

CELLARPRO COOLING UNIT

- **Factory Settings**

The settings on your CellarPro cooling unit have been preset and optimized by the factory, and it is not necessary to change these settings initially.

If you find that you want to change one or more of the settings, we strongly recommend that you allow the cooling unit to operate for 14 days before making any changes.

- **Temperature**

Proper temperatures are maintained by transferring heat from inside wine cellars and exhausting the heat through the top (top-vent) or rear (rear-vent) of the cooling units.

CellarPro cooling units are designed to turn on when the temperature inside the cellar exceeds the **Minimum Set Point** plus the **Temperature Differential**, and turn off when the temperature inside the cellar drops below the Minimum Set Point. For example, if the Minimum Set Point is 58°F and the Temperature Differential is 4°F, the cooling unit will turn on when the temperature inside the cellar rises above 62°F, and turn off when the temperature falls below 58°F.

BILD WINE CABINETS

A number of variables, including the temperatures of the ambient environment, the insulation of the cellar and the thermal mass inside the cellar, will affect the speed with which the temperature inside the cellar rises during the cooling unit's "off" cycle.

CellarPro cooling units are designed to maintain optimal temperatures for storage and aging of wine. Most wine collectors store their wine in the range of 55 - 60°F. If the cooling unit runs too much, you should raise the Minimum Set Point to reduce the cycle "on" time. It is normal for the cooling unit to run up to 75 percent of the time in order to maintain proper conditions inside the cellar.

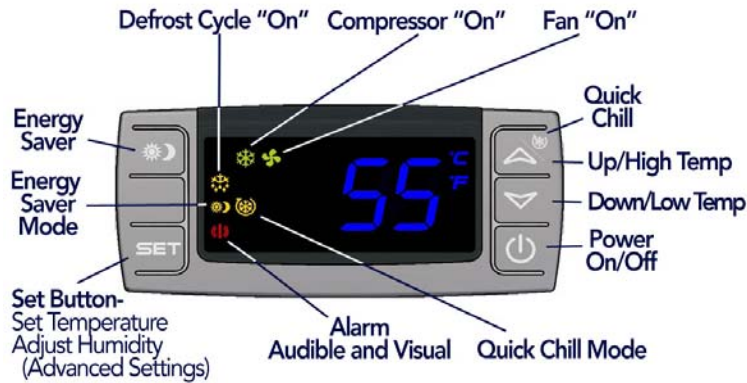
- **Humidity**

CellarPro cooling units are designed to maintain appropriate levels of humidity, ranging from 50 to 70 percent, inside your wine cellar. Relative humidity conditions depend on several factors, including:

- Ambient humidity: The higher the ambient humidity, the higher the humidity will be inside the cellar
- Fon Setting: By increasing the Fon setting, humidity can be increased inside the cellar. The recommended range for the Fon setting is 2-6.

In order to increase or decrease humidity inside the cellar, the **Fon** setting can be changed as described in the "Advanced Settings" section below.

BILD WINE CABINETS



Basic Operation

Digital Display



The temperature displayed on the control indicates the real-time air temperature as measured by Probe 1 (P1) located behind the front grill of the cooling unit

Power On/Off Button



Press "Power On/Off" to turn the unit on and off

When the "Compressor On" indicator light is on, the Compressor is running. When the "Fan On" indicator light is on, the Fan is running

Up and Down Buttons



To view the "High Temp" recorded by the cooling unit, press the "Up" button once.

To view the "Low Temp" recorded by the cooling unit, press the "Down" button once

To reset the "High Temp" or "Low Temp", press the "Set" button for three seconds while "Hi" or "Lo" is displayed. **"RST" will blink three times to indicate confirmation.**

Set Button

The cooling unit is factory preset with a

BILD WINE CABINETS



Minimum Set Point of 58°F and a Temperature Differential of 4°F. This means that the cooling unit will turn on when the display rises above 62°F (58°F + 4°F), and turn off when the display falls below 58°F.

To view the Minimum Set Point, press the "Set" button for one second.

To change the Minimum Set Point:

1. Press the "Set" button for three seconds until "°F" blinks
2. Press the "Up" or "Down" button
3. Press the "Set" button to confirm

The "Set" temperature will blink three times to indicate confirmation.

The recommended Minimum Set Point range is 53 - 60°F. To change the Temperature Differential, see "Advanced Operation" later in this chapter.

Energy Saver Button



To activate and deactivate the "Energy Saver" mode, press the "Energy Saver" button

The "Energy Saver" indicator light will turn on when the cooling unit is in "Energy Saver" mode

In "Energy Saver" mode, the Minimum Set Point increases 4°F and the Temperature Differential is unchanged

Quick Chill Button



To activate the "Quick Chill" mode, press the "Up" / "Quick Chill" button for three seconds. To deactivate "Quick Chill", press "Quick Chill" button for three seconds again

The "Quick Chill" indicator light will turn on when the unit is in "Quick Chill" mode.

In the "Quick Chill" mode, the unit will run continuously for 6 hours (or until the intake temperature registers 50°F). This mode is useful after loading "warm" bottles in a cellar

BILD WINE CABINETS

Advanced Operation

CellarPro cooling systems can be programmed with advanced settings to achieve more control over conditions inside the cellar. Conditions like humidity, the Temperature Differential, and alarm settings all can be modified for custom applications. To access the advanced settings, do the following:

- Press the "Set" button and the "Down" button together at the same time, and hold for three seconds. Then, use the "Up" or "Down" button to scroll to the following screen:



HUMIDITY: The factory preset for this setting is "3".

If the humidity inside the cellar is too low, press the "Set" button, then use the "Up" button until the desired setting is reached. The recommended range for this setting is 2-6.



TEMPERATURE DIFFERENTIAL: The factory preset for this setting is "4".

This setting determines the Temperature Differential and therefore the temperature at which the cooling unit will cycle on. The recommended range for this setting is 4 or 5.



HIGH TEMPERATURE ALARM: The factory preset for this setting is "70".

This setting designates the High temperature inside the cellar at which the alarm is triggered. We recommend leaving this setting at the factory preset.



LOW TEMPERATURE ALARM: The factory preset for this setting is "45".

This setting designates the Low temperature inside the cellar at which the alarm is triggered. We recommend leaving this setting at the factory preset.



ENERGY SAVINGS MODE DIFFERENTIAL: The factory preset for this setting is "4".

This setting increases or decreases the Temperature Differential for the Energy Savings Mode. The recommended range for this setting is 2-4.

BILD WINE CABINETS

Alarms

Alarm Indicators* The control panel has an audible buzzer and an alarm indicator light (Row 4) that turns on when an alarm is triggered. In addition, the control panel will flash the following codes when an alarm is triggered:

<u>Alarm Code</u>	<u>What it means</u>	<u>What to do</u>
P1, P3	Probe Failure	Call CellarPro at 877.726.8496
HA	The temperature inside the cellar is too warm (>70°F for more than 1 hour)	Check seals; Check if door was left open; Lower the ambient temperatures
HA2	The condenser temperature is too high (above 140°F for 2 hours)	Check for appropriate installation, ventilation, ambient conditions and cooling capacity Clean the condenser coils and/or replace the air filter; Check for obstructions to the intake and/or exhaust vents; Check that the condenser fan is operating
LA2	The temperature at the condenser coils (outside the cabinet) has dropped below the alarm temperature setting	Lower the alarm temperature setting as follows: <ol style="list-style-type: none">1. Depress the "Set" and "Down" button for three seconds until the controller displays a parameter (eg "HY"), then release2. Depress the "Set" and "Down" button again for seven seconds until the "PR2" flashes on the display, followed quickly by a parameter (eg "HY"), then release3. Using the "Down" button, scroll until the display reads "AL2"4. Depress the "Set" button5. Use the "Down" button to lower the alarm temperature setting to 456. Depress the "Set" button again7. After three seconds, the display will return to the normal screen

** Please note: the temperature alarms (HA, HA2, LA and LA2) are disabled during the first 23 hours of operation after the cooling unit is plugged in and/or turned on.*

BILD WINE CABINETS

Optional Protection Mechanism

Optional Protection Mechanism

CellarPro cooling systems can be programmed to turn off the compressor and condenser fan in the event of an HA2 alarm, as described below. If you'd like to turn on this protection mechanism, please call us toll-free at 877.726.8496

P3 > 140°F for more than 2 hours

The condenser probe is measuring temperatures that are too hot

The compressor and condenser fan will turn off until the condenser temperature falls below 120°F

BILD WINE CABINETS

VII. BOTTLE STORAGE TIPS

To achieve the best results with your BILD wine cabinet, follow the recommendations below when loading and storing bottles:

- Start storing bottles in the center of the cabinet, and enlarge the "circle" as you add bottles to the cabinet. This will minimize temperature fluctuations by creating a thermal mass of bottles in the center of the cabinet, and will reduce the number of cooling cycles required by the cooling system.
- Once the cabinet is loaded, turn on the cooling unit. The settings on the CellarPro cooling unit have been preset and optimized by the factory, and we recommend that you wait two weeks before changing any of the settings.
- Create an "airflow path" by keeping the top 3-4 cells directly below the cold-air discharge empty of bottles (see picture at right). The cold air discharge is located on the left side underneath the cooling system. By keeping these cells free of bottles, the cold air produced by the cooling unit will be able to circulate freely inside the cabinet, resulting in less stratification and more efficient operation.
- Some of our wine racks are designed to hold bottles "double-deep." Generally, both bottles should be loaded with the cork facing the door. Most collectors load the same wines together in a slot, so that they know which wines are in the back.
- Some wine bottles (e.g. German Rieslings) are extra-long and won't fit double-deep in our racks. When storing long bottles, they should be loaded with shorter bottles.
- Most large-format bottles should fit inside our wine cabinet racks. However, some bottles are too big and will need to be stored in the bulk storage area at the top of the racks.

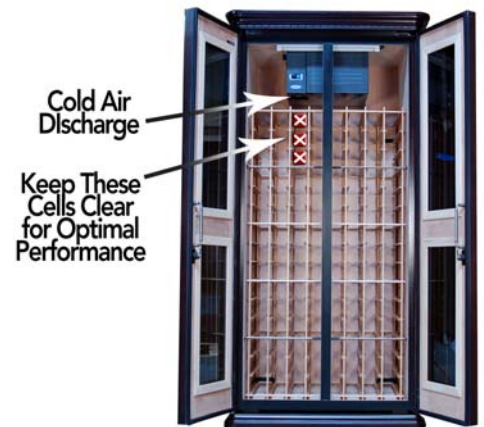


BILD WINE CABINETS

VIII. MAINTENANCE INSTRUCTIONS

EXTERIOR SURFACE

The cabinet walls and doors are made with a tough PVC laminate which will withstand cleaning with mild soapy water. A furniture polish periodically applied will maintain the sheen of the finish.

DOOR INSTRUCTIONS

We recommend keeping the door locked when the cabinet is not in use. By keeping the door locked, you will ensure that you have a tight seal between the cabinet doors and the cabinet itself, and will help prevent the possibility of the door becoming warped over time.

AIR FILTER

All BILD 800 wine rooms sold with a CellarPro unit include an air filter that magnetically attaches to the rear of the cooling unit. To replace the filter, remove the filter frame from the top of the wine cabinet (see the image at right), and replace the filter when it becomes dirty (anywhere from 3 to 9 months depending on the conditions in your location).

When replacing the filter, the blue fibers should face the cooling unit, and the white fibers should face away from the cooling unit.

Replacement filters may be purchased at www.lecache.com.

BILD WINE CABINETS

IX. TROUBLESHOOTING GUIDE

The cabinet is assembled and in place but the door is not aligned and/or the corner(s) are torqued out.

1. Make sure the room is level and the doors are properly aligned (refer to Chapter V).
2. Check to see that the hinges are installed properly or are loose.
3. Check to see if the door is bowed using a long straight-edged object (e.g. a yardstick).

I've had the cabinet for some time, and the cabinet door(s) are no longer sealing properly against the cabinet.

You can check the door seals by placing a flashlight inside the cabinet and aiming it at the door. Then, close the door. If there are any gaps and the light shines through, the door is not sealing properly.

Another way to check the seals is by closing each door on a dollar bill around the perimeter of each door. It should be difficult to slide the bill along the edge of the door without pulling out the bill.

If the door(s) aren't sealing properly against the cabinet, do the following:

1. Make sure the room is level and the doors are aligned (refer to Chapter V)
2. If there is a kink in the rubber gasket on the door, use a hair dryer for several minutes and stretch the gasket into the proper shape. Then, close the doors for several hours to allow the gasket to regain its proper shape.
3. If necessary, it is Ok to stuff the gasket with cloth or paper, and/or add another wood strip inside the gasket, to push out the gasket so that it seals against the door.

The cooling unit runs constantly.

The cooling unit is designed to turn on when the air temperature in the cellar rises ABOVE the Minimum Set Point + Temperature Differential, and turn off when the air temperature falls below the Minimum Set Point. For example, if the Minimum Set Point is 58°F and the Temperature Differential is 4°F, the cooling unit will turn on above 62°F and turn off below 58°F.

BILD WINE CABINETS

When bottles are first loaded in the wine room, the cooling unit will run continuously (even up to a week) until the temperature inside the cellar falls below the Minimum Set Point.

Depending on the load, the cooling unit can cool 35°F below the ambient temperature in the space outside the condenser coils. In other words, when the ambient temperature in the space outside the condenser coils is 95°F, the cooling unit can't cool to 60°F inside the cellar.

Hot weather conditions, insufficient ventilation and/or dirty condenser coils can all cause the cooling unit to run continuously. To reduce cycle times,

1. Clean the condenser coils
2. Check the ambient temperature in the space outside the condenser coils while the cooling unit is running, making sure that the difference between this temperature and the Minimum Set Point is no more than 25°F.
3. Increase the supply of cool air to the space outside the condenser coils, using a fan or an exhaust system to remove heat from the space.
4. Raise the Minimum Set Point on the cooling unit
5. Make sure that the "Quick Chill" and "Energy Saver" features are not enabled

The cooling unit is dripping inside the cabinet and/or the cabinet is having problems with condensation.

The cooling unit does not generate water. If the cooling unit is dripping, or the cabinet is having excess condensation, it is because the cooling unit is running too much and/or the cabinet does not have an airtight seal from the ambient environment.

To eliminate dripping and condensation, do the following:

1. Raise the Minimum Set Point of the cooling unit to 58 degrees.
2. Make sure the cellar has good seals, especially at the door(s), and repair any leaks immediately.
3. If your wine cabinet is less than half full, build the thermal mass to reduce the cycle time of the cooling unit. If you don't have enough wine, use soda cans, water bottles, etc.
4. If condensation occurs, wipe it away frequently to limit damage to the structure of the wine room.

BILD WINE CABINETS

X. LIMITED WARRANTY

FIVE YEAR COOLING UNIT LIMITED WARRANTY

For five years from the date of original delivery, your BILD warranty covers all parts and labor to repair or replace any components that prove to be defective in materials or workmanship in the cooling unit. Under the terms of this warranty, we will repair or replace the original cooling unit with a new or refurbished cooling unit and, once replaced, the original cooling unit must be returned to us. The cooling unit is self-enclosed and is located inside the wine cabinet and is mounted to the top of the cabinet.

ONE YEAR LIMITED WARRANTY

For one year from the date of original delivery, your BILD warranty covers all parts and labor to repair or replace any part of the wine room, exclusive of the cooling unit, which proves to be defective in materials or workmanship.

TERMS APPLICABLE TO EACH WARRANTY

All service provided by Le Cache under the above warranty must be performed by a designated repair center, unless otherwise specified by Le Cache. Purchaser is responsible for removing and reinstalling the cooling unit from the wine cabinet, and for shipping to and from Le Cache or to and from a designated repair facility.

The limited warranty applies only to wine cabinets purchased from the factory or an authorized dealer. For wine cabinets delivered to Hawaii and locations outside the United States, the District of Columbia or Canada, the limited warranty applies only to the cooling unit, but it does not apply to the wine cabinet. The limited warranty does not cover any parts or labor to correct any defect caused by negligence, commercial use, accident, or improper use, maintenance, installation, service or repair. The limited warranty also does not cover any parts or labor to correct any damage caused by severe temperature variations, direct sunlight, extremely dry conditions or great humidity changes.

THE REMEDIES DESCRIBED ABOVE FOR EACH WARRANTY ARE THE ONLY ONES, WHICH LE CACHE WILL PROVIDE, EITHER UNDER THESE WARRANTIES OR UNDER ANY WARRANTY ARISING BY OPERATION OF LAW. LE CACHE WILL NOT BE RESPONSIBLE FOR ANY CONSEQUENTIAL OR INCIDENTAL DAMAGES ARISING FROM THE BREACH OF THESE WARRANTIES OR ANY OTHER WARRANTIES, WHETHER EXPRESS, IMPLIED OR STATUTORY.

Some states do not allow the exclusion or limitation of incidental or consequential damages, so the above limitation or exclusion may not apply to you. This warranty gives you specific legal rights and you may also have other legal rights, which vary from state to state.

To receive parts and/or service and the name of a Le Cache designated repair facility nearest you, contact your Le Cache dealer. You may also contact Le Cache Premium Wine Cabinets directly by calling our toll-free number at 1.877.532.2243.

BILD WINE CABINETS

XI. CONTACT INFORMATION

Le Cache Premium Wine Cabinets

531 Mercantile Drive

Cotati, CA 94931

Toll Free: 1.877.532.2243

Direct: 1.707.794.8000

Email: info@lecache.com

www.lecache.com

#



*"Susan, this might be just the wine talking,
but I think I want to order more wine."*

© The New Yorker Collection 2003 Christopher Weyant from cartoonbank.com. All Rights Reserved.